

TEA2260/TEA2261  
HIGH PERFORMANCE DRIVER CIRCUITS FOR S.M.P.S

<b>SUMMARY</b>		<b>Page</b>
<b>I</b>	<b>INTRODUCTION</b> .....	2
I.1	MASTER SLAVE MODE .....	2
I.2	BURST MODE .....	2
I.3	OPERATION OF MASTER SLAVE POWER SUPPLY IN TV APPLICATION .....	2
I.4	SECONDARY REGULATION .....	6
I.5	PRIMARY REGULATION .....	8
<b>II</b>	<b>CIRCUIT DESCRIPTION</b> .....	9
II.1	VOLTAGE REFERENCE AND INTERNAL $V_{cc}$ GENERATION .....	10
II.2	OSCILLATOR .....	10
II.3	ERROR AMPLIFIER .....	12
II.4	PULSE WIDTH MODULATOR .....	12
II.5	SOFT START OPERATION .....	13
II.6	BURST GENERATION IN STAND BY .....	13
II.7	IS LOGIC .....	14
II.8	SAFETY FUNCTIONS : DIFFERENCES BETWEEN TEA2260 AND TEA2261 .....	15
II.8.1	$I_{max}$ .....	16
II.8.1.1.	First threshold $V_{IM1}$ .....	17
II.8.1.2.	Second threshold $V_{IM2}$ for TEA2260 .....	18
II.8.1.3.	Second threshold $V_{IM2}$ for TEA2261 .....	18
II.8.2	Logical block .....	18
II.8.2.1.	Logical block for TEA2260 .....	18
II.8.2.2.	Logical block for TEA2261 .....	19
II.9	OUTPUT STAGE .....	19
<b>III</b>	<b>TV APPLICATION 120W 220 VAC 16KHz SYNCHRONIZED</b> .....	20
III.1	CHARACTERISTICS OF APPLICATION .....	20
III.2	CALCULATION OF EXTERNAL COMPONENTS .....	20
III.2.1	Transformer calculation .....	21
III.2.1.1	Transformer specification .....	22
III.2.2	Switching transistor and its base drive .....	22
III.2.2.1	Current limit calculation .....	22
III.2.2.2	Snubber network .....	23
III.2.2.3	Base drive .....	24
III.2.3	Oscillator frequency .....	25
III.2.4	Regulation loop .....	25
III.2.5	Overload capacitor .....	26
III.2.6	Soft start capacitor .....	26
III.2.7	Feedback voltage transformer .....	26
III.2.8	Start up resistor .....	27
III.2.9	High voltage filtering capacitor .....	28
III.3	ELECTRICAL DIAGRAM .....	29

SUMMARY (continued)		Page
<b>IV</b>	<b>TV APPLICATION 140W 220 VAC 32kHz SYNCHRONIZED</b> .....	32
IV.1	APPLICATION CHARACTERISTICS .....	32
IV.2	TRANSFORMER CHARACTERISTICS .....	32
IV.3	ELECTRICAL DIAGRAM .....	33
<b>V</b>	<b>TV APPLICATION 110W 220 VAC 40kHz REGULATED BY OPTOCOUPLER</b> .....	34
V.1	FREQUENCY SOFT START .....	34
V.2	APPLICATION CHARACTERISTICS .....	34
V.3	TRANSFORMER SPECIFICATION .....	34
V.4	ELECTRICAL DIAGRAM .....	35

## I - INTRODUCTION

The TEA2260/61 is an integrated circuit able to drive a bipolar transistor directly with an output base current up to 1.2A.

So the TEA2260/61 covers a wide range of application from 80W to more than 200W with all safety requirements respected.

The high performances of the regulation loop provide a very low output power due to an automatic burst mode.

The TEA2260/61 can be used in a MASTER SLAVE STRUCTURE, in a PRIMARY REGULATION or a SECONDARY REGULATION.

The TEA2260/61 is very flexible and high performance device with a very large applications field.

The only difference between TEA2260 and TEA2261 concerns security functions (see paragraph II.8)

### I.1 - Master Slave Mode (Figure 1)

In this configuration the master circuit located on the secondary side, generates PWM pulses used for output voltage regulation. These pulses are sent via a feedback transformer to the slave circuit (Figure 1).

In this mode of operation, the falling edge of the PWM Signal may be synchronized with an external signal. By this way the switching off time of the power transistor, which generates lot of parasites, can be synchronized on the line flyback signal in TV applications.

An other advantage of the MASTER SLAVE STRUCTURE is to have a very good regulation not depending of the coupling between transformer primary and secondary windings, which allows the use of low cost switch mode transformers.

### I.2 - Burst Mode (Figure 2)

During start-up and stand-by phases, no regulation pulses are provided by the master circuit to the slave circuit.

The slave circuit operates in primary regulation mode. When the output power is very low the burst mode is automatically used.

This operating mode of the SMPS effectively provides a very low output power with a high efficiency.

The TEA2260/61 generates bursts with a period varying as a function of the output power.

Thus the output power in burst mode can varied in a wide range from 1W to more than 30W.

### I.3 - Operation of Master Slave Power Supply in TV Application

The system architecture generally employed is depicted in Figure 3. On the secondary side a micro controller is connected to the remote control receiver which generates control signal for the stand-by and normal modes of operation (Figure 4).

- In stand-by mode, the device power consumption is very low (few watts). The master circuit does not send pulses and hence the slave circuit works in primary regulation and burst mode.
- In the normal mode, the master circuit provides the PWM signal required for regulation purposes. This is called MASTER SLAVE MODE. The master circuit can be simultaneously synchronized with the line flyback signal.
- Power supply start-up. As soon as the  $V_{CC}(\text{start})$  threshold is reached, the slave circuit starts in continuous mode and primary regulation as long as the nominal output voltages are not reached. After this start-up phase the microcontroller holds the TV Set in stand-by mode or either in normal mode.

Figure 1

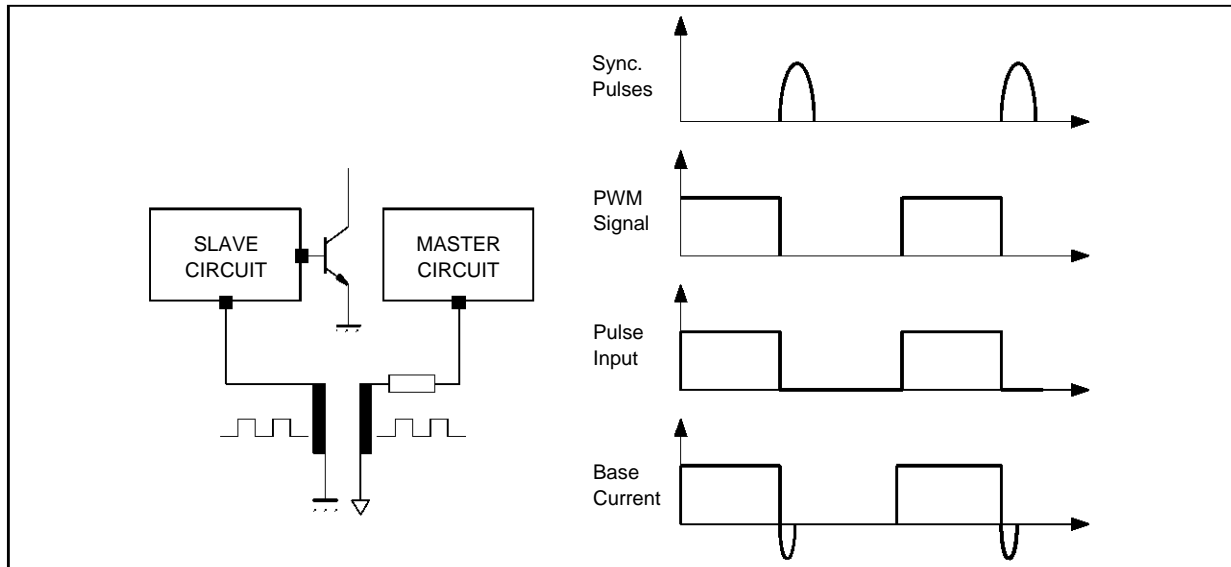
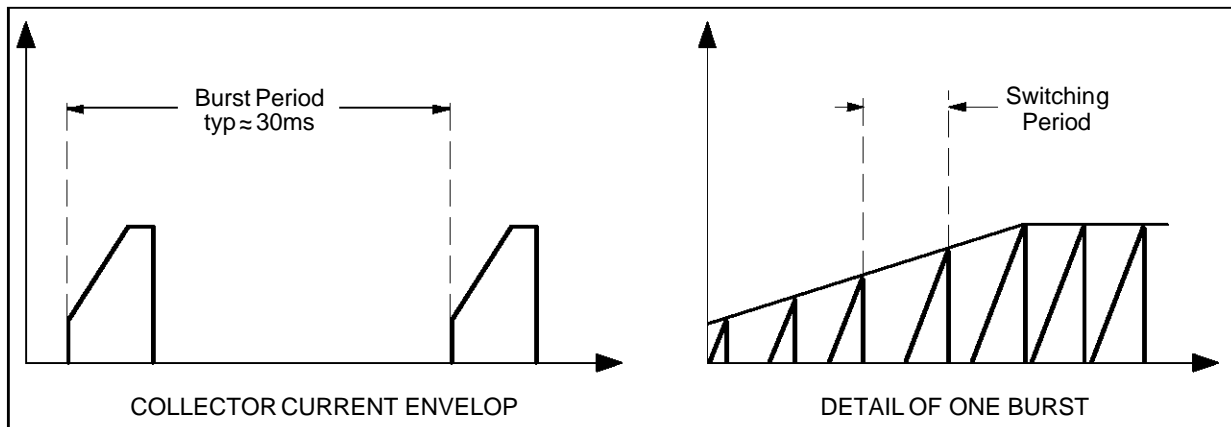
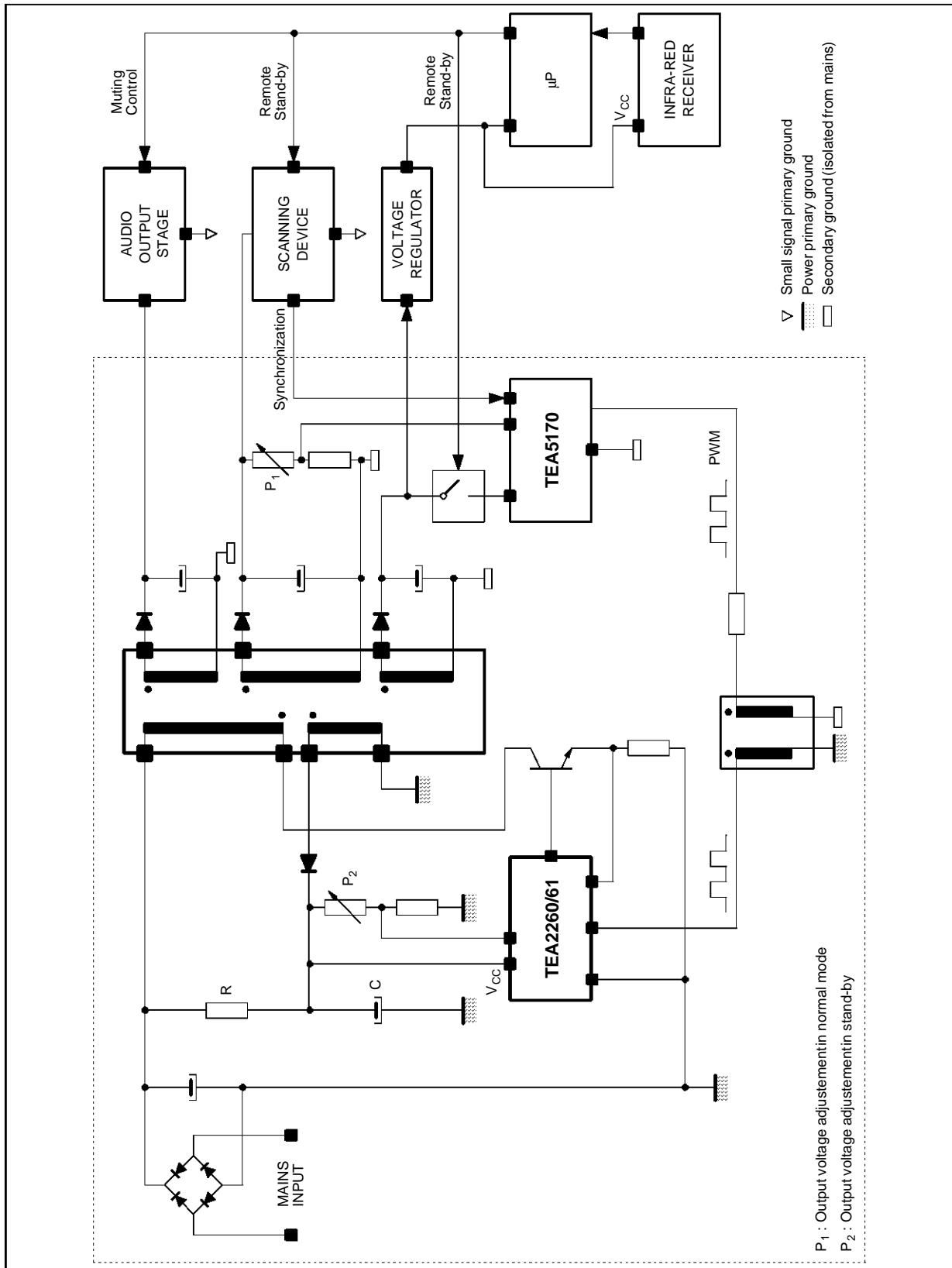


Figure 2 : Burst Mode Operation



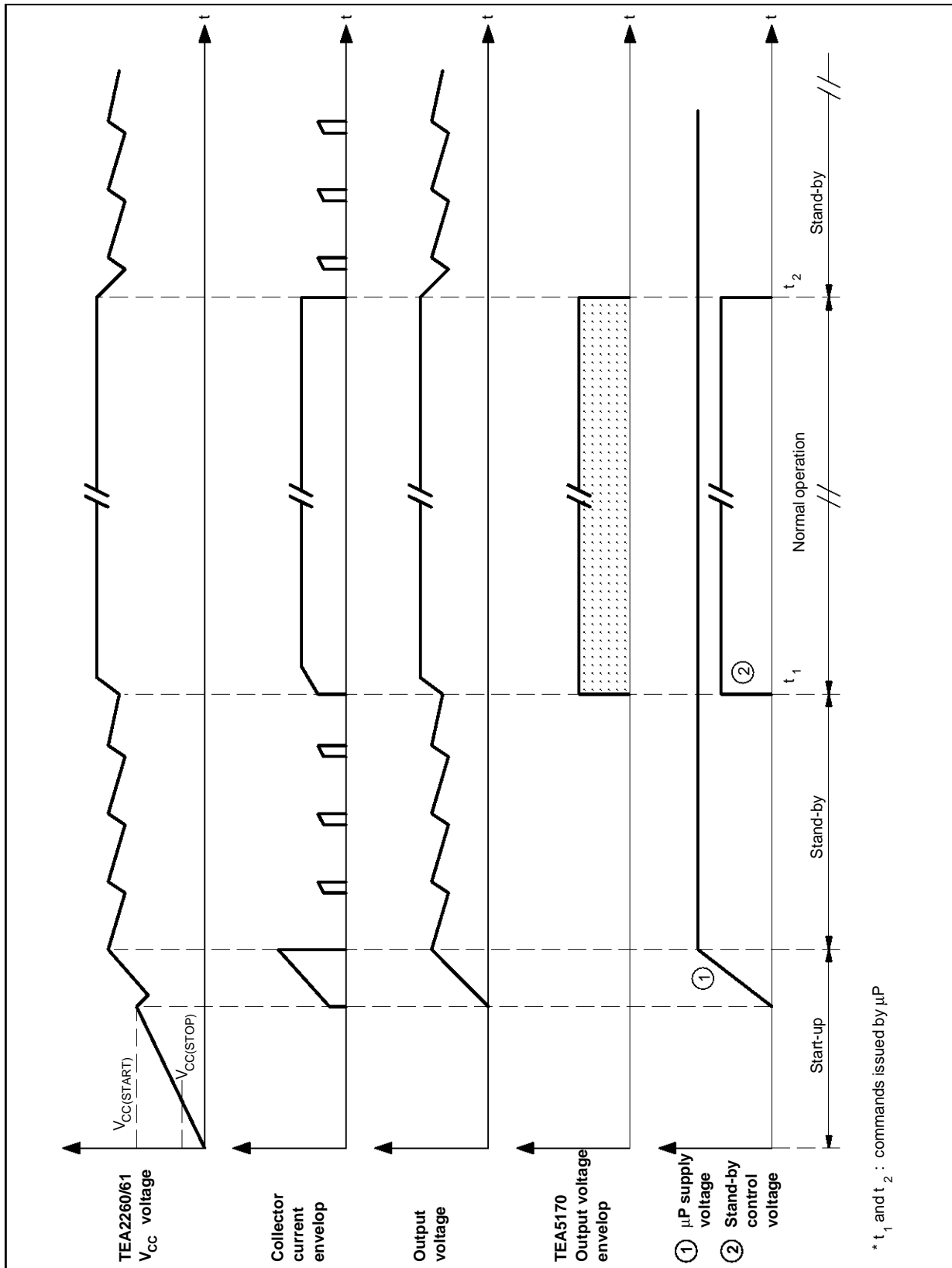
# HIGH PERFORMANCE DRIVER CIRCUITS FOR S.M.P.S

Figure 3 : TV Application System Diagram



376-03.EPS

Figure 4 : System Description (waveforms)



376-04.EPS

# HIGH PERFORMANCE DRIVER CIRCUITS FOR S.M.P.S

## I.4 - Secondary Regulation (Figures 5 and 6)

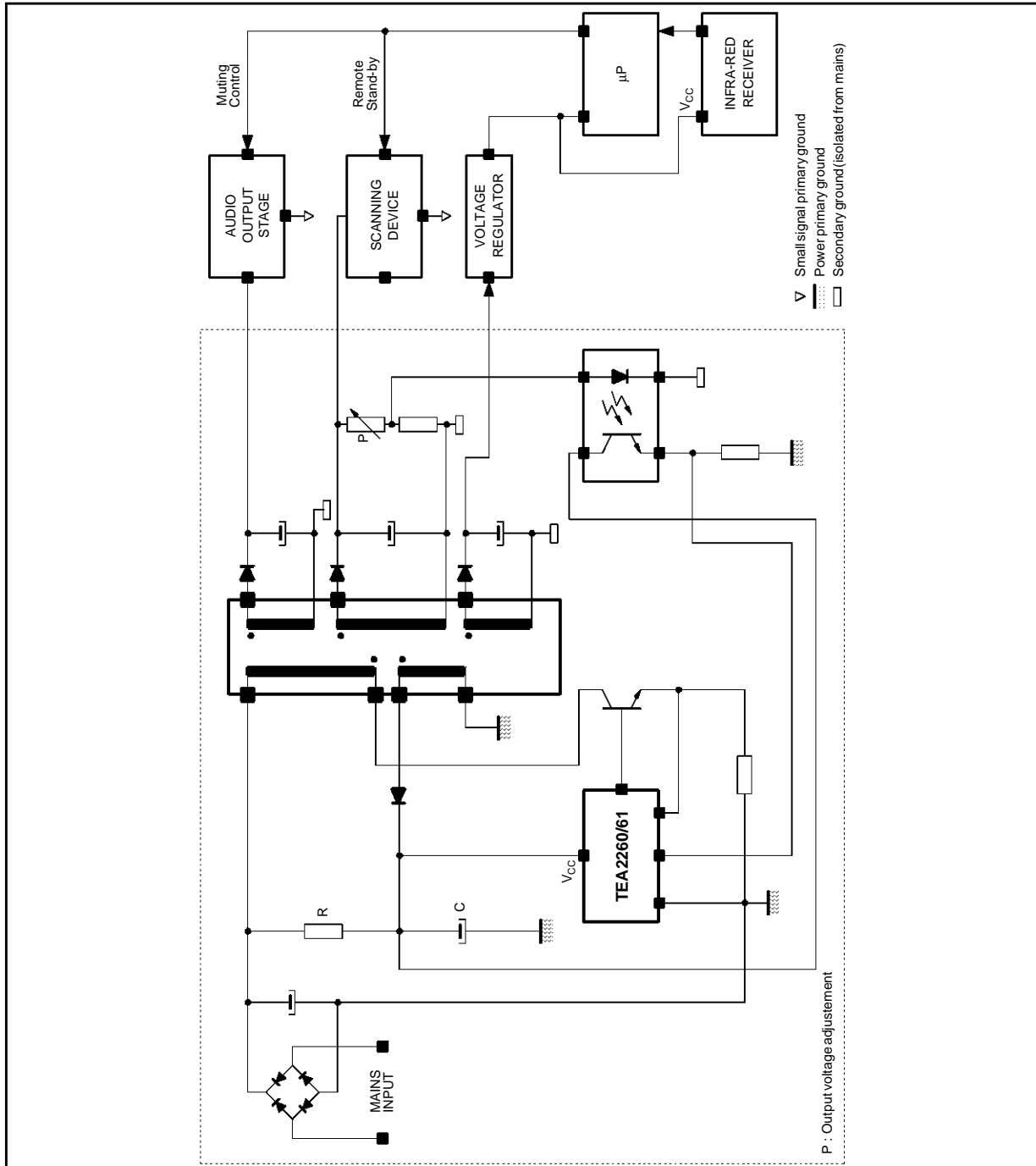
In this configuration the TEA2260/61 provides the regulation through an optocoupler to ensure good accuracy.

The advantage of this configuration is the availability of a large range of output power variation (e.g 1W to 110W).

This feature is due to the automatic burst mode (see paragraph II.6).

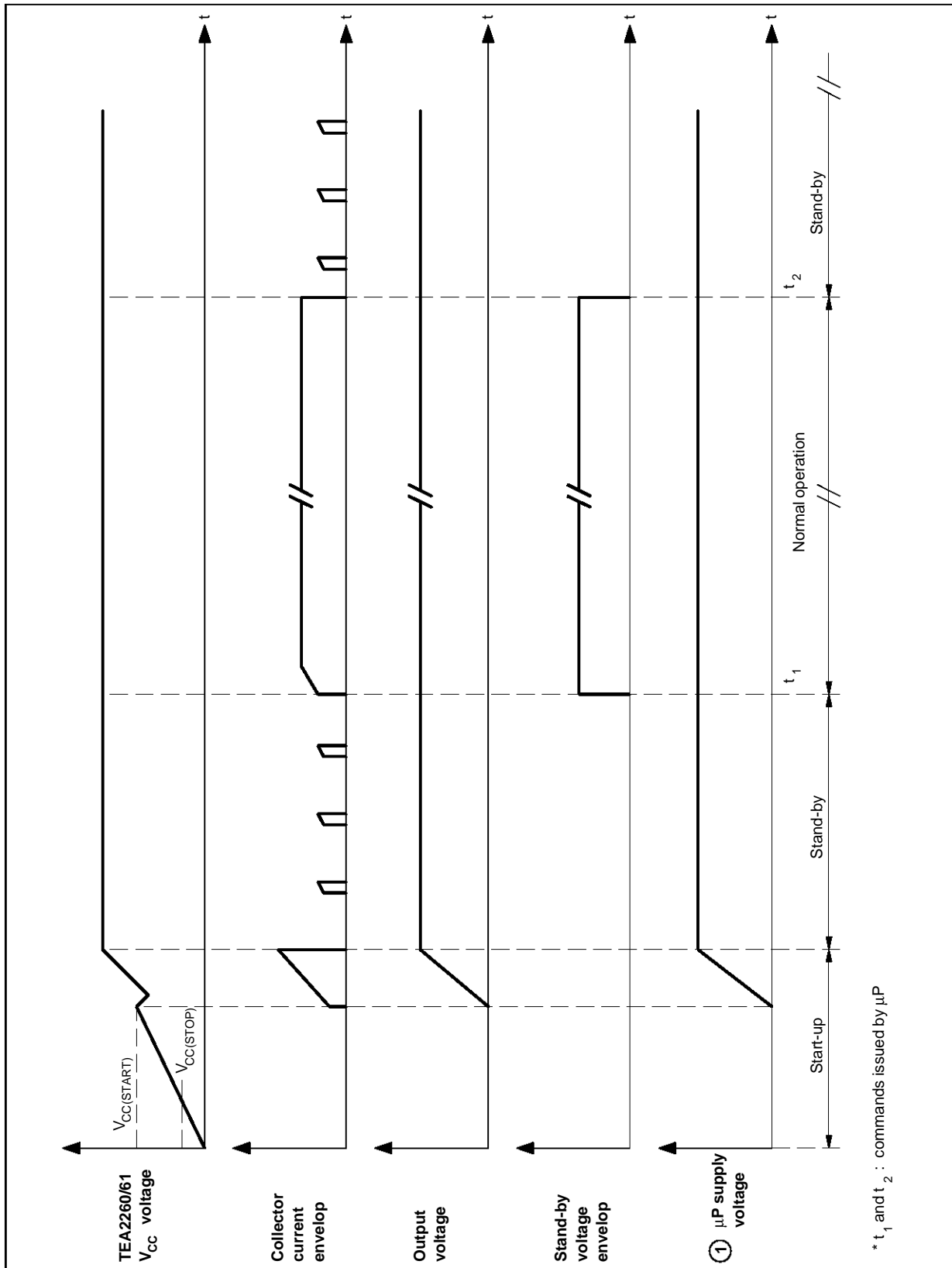
The structure in a TV Set is simpler than the MASTER SLAVE STRUCTURE because the power supply switches from normal mode to burst mode automatically as a function of the output power.

**Figure 5 : TV Application System Diagram**



376-05.EPS

Figure 6 : System Description (waveforms)



376-06.EPS

# HIGH PERFORMANCE DRIVER CIRCUITS FOR S.M.P.S

## I.5 - Primary Regulation (Figure 7)

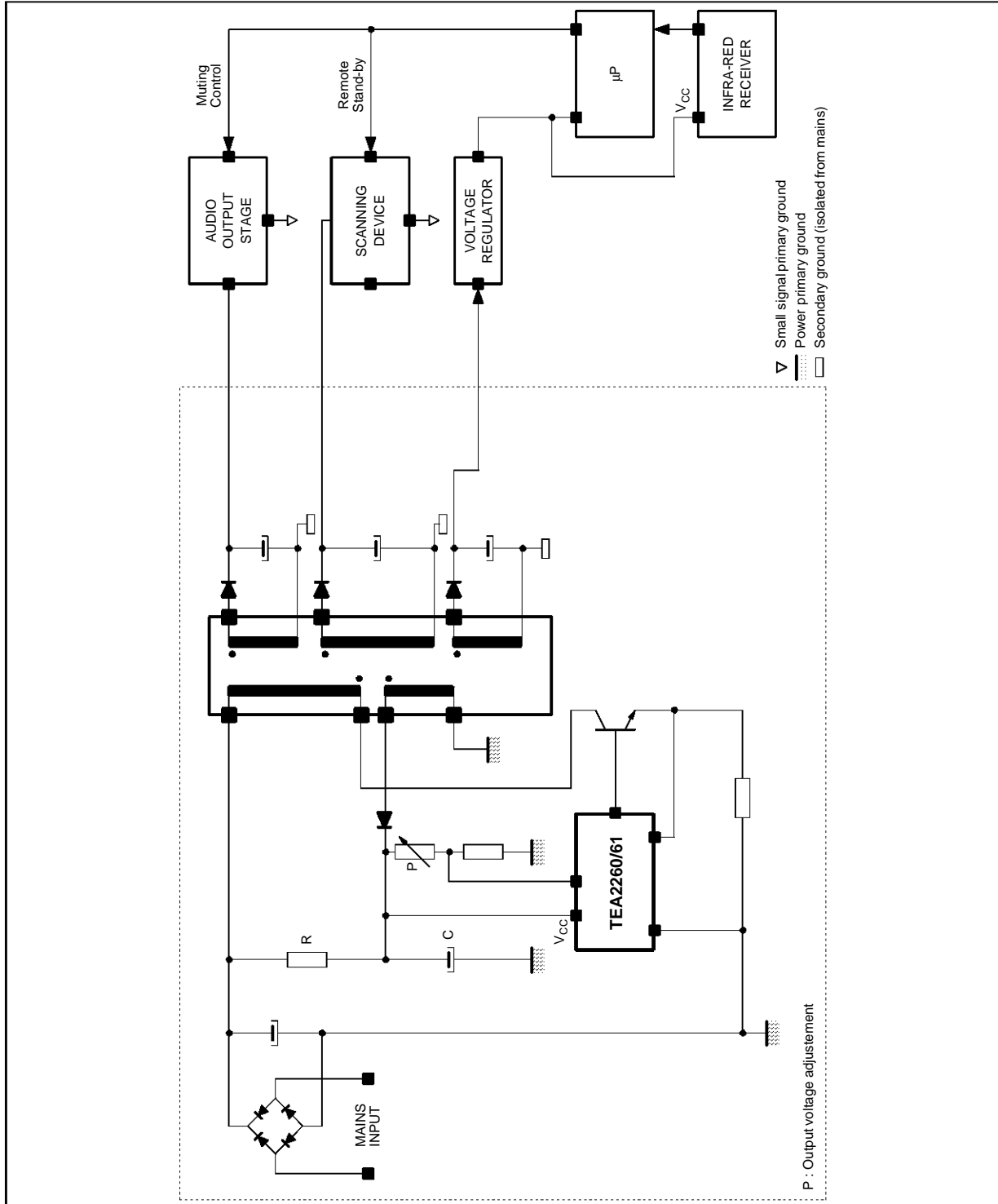
In this configuration the TEA2260/61 provides the regulation through an auxiliary winding.

This structure is very simple but the accuracy de-

pends on the coupling between the transformer primary and secondary winding.

Due to the automatic burst mode the output power can vary in a large range.

**Figure 7 : TV Application System Diagram**



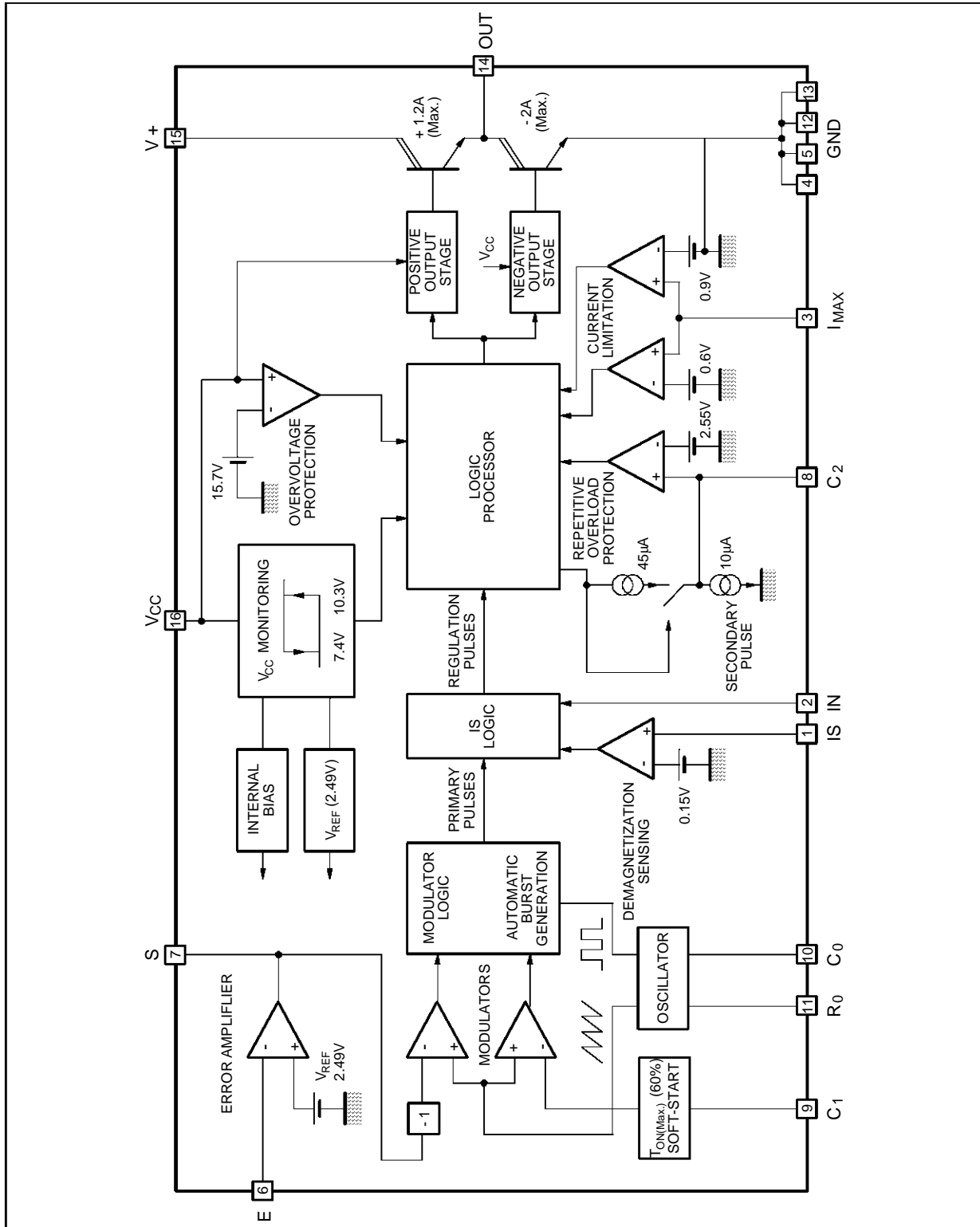
376-07.EPS



## II - CIRCUIT DESCRIPTION

Figure 8 shows the integrated functions.

Figure 8



376-08.EPS

# HIGH PERFORMANCE DRIVER CIRCUITS FOR S.M.P.S

The circuit contains 8 blocks :

- Voltage reference and internal  $V_{CC}$  generation.
- RC oscillator
- Error amplifier
- Pulse width modulator (PWM)
- "Is logic" for transformer demagnetization checking.
- Current limitation sub-unit (IMAX)
- Logical block.
- Output stage.

This block also generates an internal regulated  $V_{CC}$ ,  $V_{CC(int)}$ , the nominal value of which is 5V.  $V_{CC(int)}$  supplies the circuit when  $V_{CC}$  is higher than  $V_{CC(start)}$  (10.3V typ.).

This allows the circuit to achieve a good external  $V_{CC}$  rejection, and to provide high performance even with large  $V_{CC}$  supply voltage variations.

This block also generates initialization and control signals for the logical block. It also contains the  $V_{CC(Max.)}$  comparator (typ threshold 15.7V).

## II.1 - Voltage Reference and Internal $V_{CC}$ Generation (Figure 9)

This block generates a 2.5V typ. voltage reference valid as soon as  $V_{CC}$  exceeds 4V. It is not directly accessible externally but is transmitted to other blocks of the circuit.

## II.2 - Oscillator (Figures 10 and 11)

The oscillator determines the switching frequency in primary regulation mode. Two external components are required : a resistor  $R_O$  and a capacitor  $C_O$ . The oscillator generates a sawtooth signal, which is available on Pin 10.

Figure 9 : Voltage Reference Block Principle

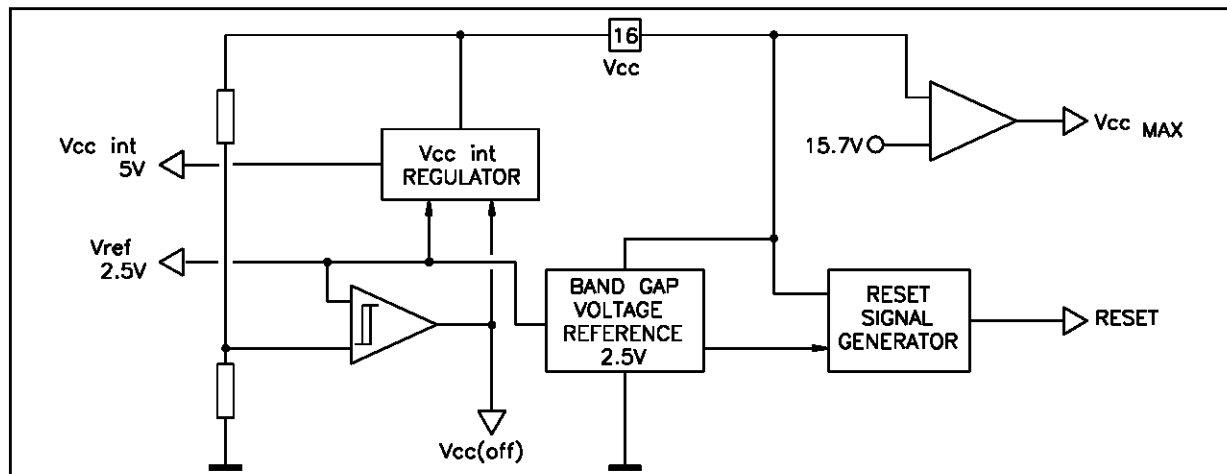


Figure 10 : Operating Principle

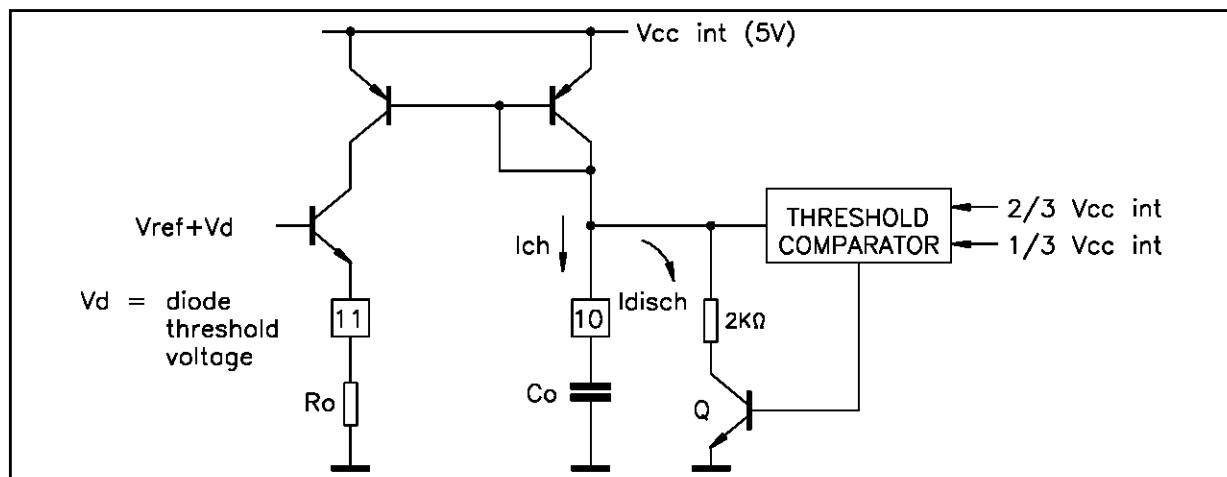
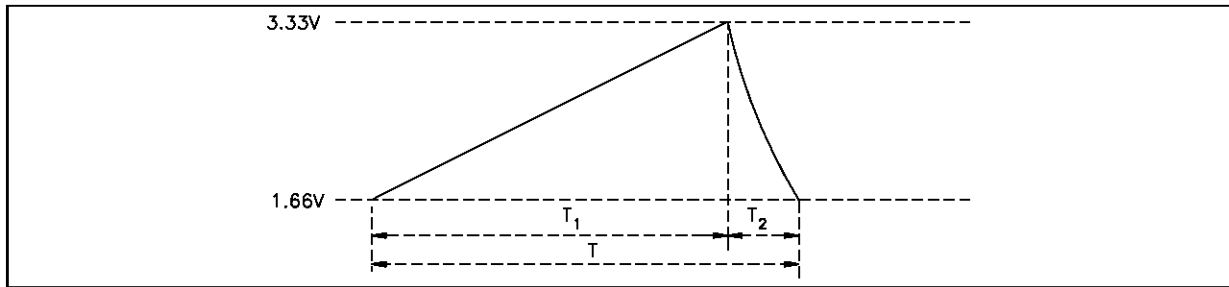


Figure 11 : Sawtooth available across  $C_0$



$C_0$  capacitor is charged with a constant current. The current is fixed by  $R_0$  which is supplied by voltage  $V_{REF}$ .

$$I_{ch} = \frac{2.5}{R_0}$$

When the voltage across  $C_0$  reaches  $\frac{2}{3} \times V_{CCint}$  (typ 3.33V), Q Transistor conducts and  $C_0$  is quickly discharged into an  $2k\Omega$  (typ) internal resistor. When the voltage reaches

$\frac{1}{3} \times V_{CCint}$  (typ 1.66V), the discharge is stopped, and the linear charge starts again.

Theoretical values of  $T, T_1$  and  $T_2$  as function of  $R_0$  and  $C_0$  :

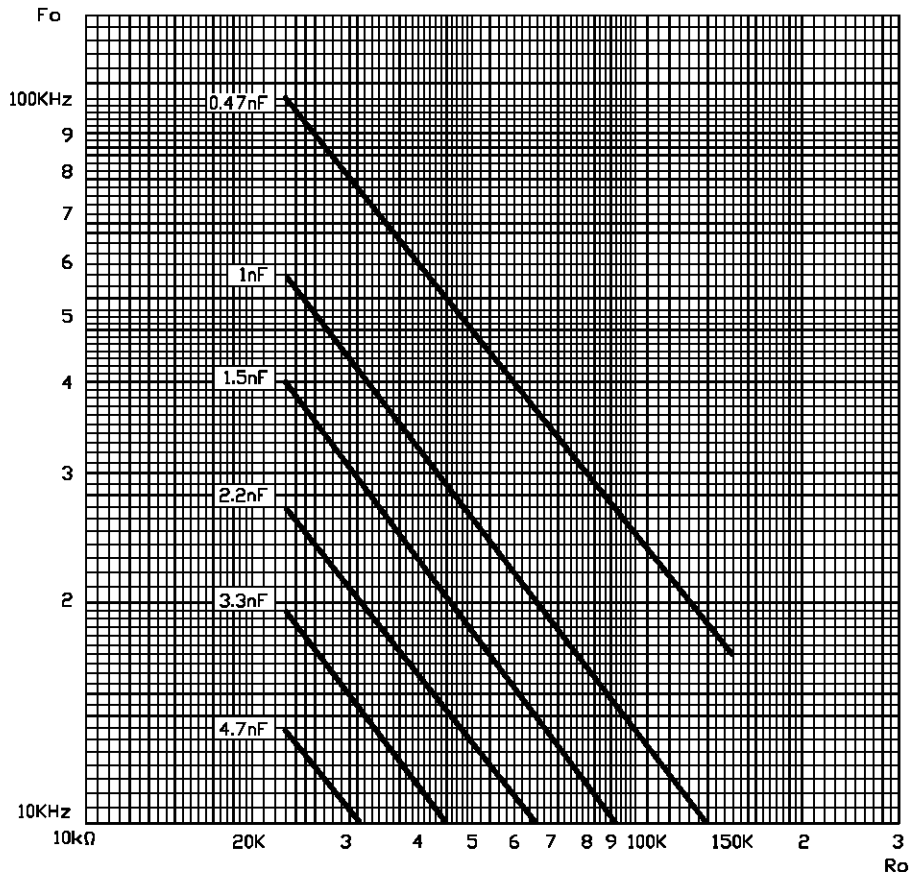
$$T = C_0 (0.69 \times R_0 + 1380)$$

$$T_1 = R_0 \times C_0 \times 0.69$$

$$T_2 = C_0 \times 2000 \times 0.69 = C_0 \times 1380$$

Due to the time response of comparators and normal spread on thresholds values, the real values of  $T_1$  and  $T_2$  may be slightly different, compared with these theoretical values (see Figure 12).

Figure 12 : Frequency as a Function of  $R_0$  and  $C_0$

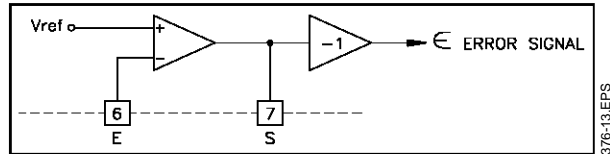


## HIGH PERFORMANCE DRIVER CIRCUITS FOR S.M.P.S

### II.3 - Error Amplifier (Figure 13)

It is made of an operational amplifier. The open loop gain is typically 75dB. The unity gain frequency is 550kHz (typ). An internal protection limits the output current (Pin 7) at 2mA in case of shorted to ground.

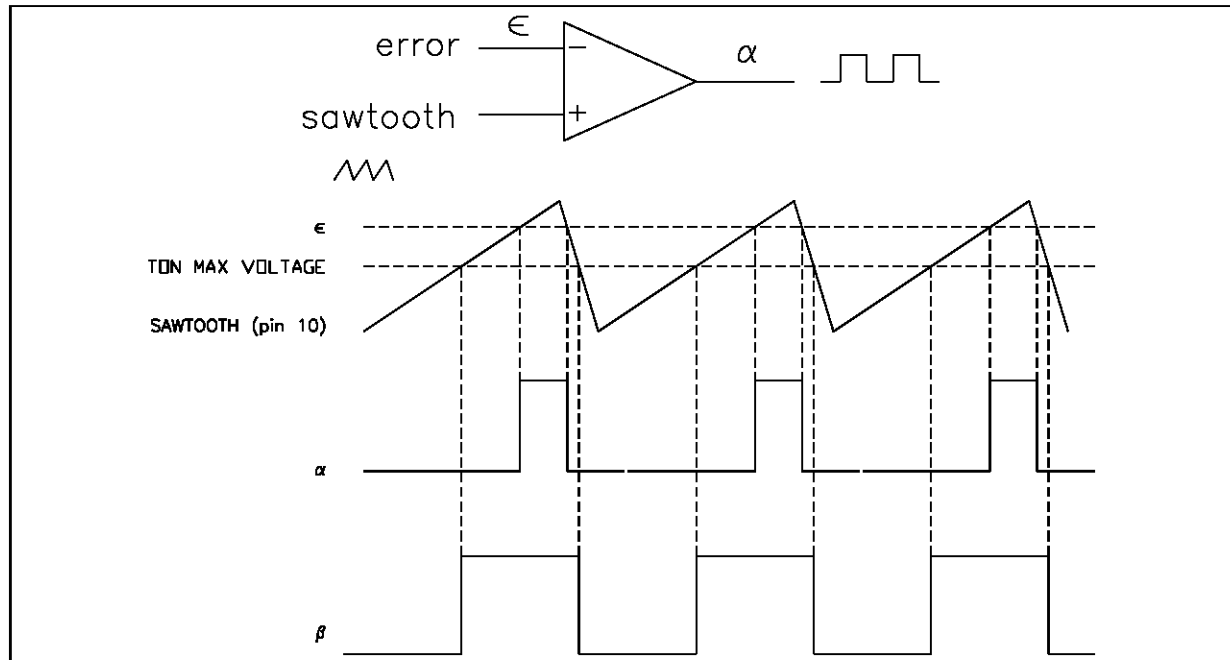
Figure 13



Output and inverting input are accessible thus giving high flexibility in use. The non-inverting input is not accessible and is internally connected to  $V_{REF}$  (or  $0.9V_{REF}$  in burst mode - see paragraph II.6)

Before driving the pulse width modulator (PWM) and in order to get the appropriate phase, the error amplifier is followed by an inverter.

Figure 14



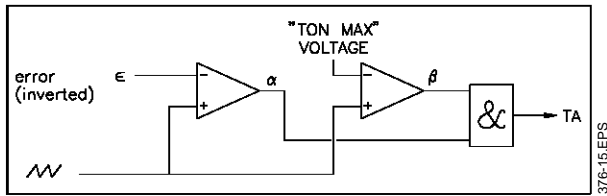
### II.4 - Pulse Width Modulator (PWM) (Figure 14)

The pulse width modulator consists of a comparator fed by the output signal of the error amplifier and the oscillator output. Its output is used to generate conduction signal.

The TEA2260/61 actually integrates two PWM :

- A main PWM generates a regulation signal ( $\infty$ ) by comparing the error signal (inverted) and the sawtooth.
- An auxiliary PWM generates a maximum duty cycle conduction signal ( $\beta$ ), by comparing the sawtooth with an internal fixed voltage. Furthermore, during the starting phase of the SMPS, in association with an external capacitor, this PWM generates increasing duty cycle, thus allowing a "soft" start-up.
- A logic "AND" between signals ( $\infty$ ) and ( $\beta$ ) provides the primary regulator output signal  $T_A$ .

Figure 15



**II.5 - Soft Start Operation (Figure 16)**

From  $t_1$  to  $t_2$ , there is no output pulse (pin 14) and  $C_1$  is charged by a  $180\mu A$  current (typically). When  $C_1$  voltage reaches 1.5V (typically), output pulses appear and the charge current of  $C_1$  is divided by 20 ( $9\mu A$  typically), then the duty cycle increases progressively. When  $C_1$  voltage reaches 2.7V (typically), the soft-starting device ceases to limit the duty cycle, which may reach 60%. Under established conditions  $C_1$  voltage is charged to 3.1V (typically)

**II.6 - Burst Generation in Stand By (primary regulation mode)**

When the SMPS output power becomes very low, the duty cycle of the switching transistor conduction becomes also very low. In order to transmit a low average power, while ensuring correct switching conditions to the power transistor, a "burst" system is used for energy transmission in stand by mode.

**Principle**

For a medium output power (e.g. more than 10W),

the voltage reference is applied to the non-inverting input of the error amplifier. When output power decreases as the minimum conducting time of the power transistor is reached, the output voltage tends to increase. Consequently the error signal applied to the PWM becomes higher than the sawtooth. This is detected by a special logic and the voltage applied to the non inverting input becomes  $V_{REF} = 0.9 \times 2.5 = 2.25V$  typically.

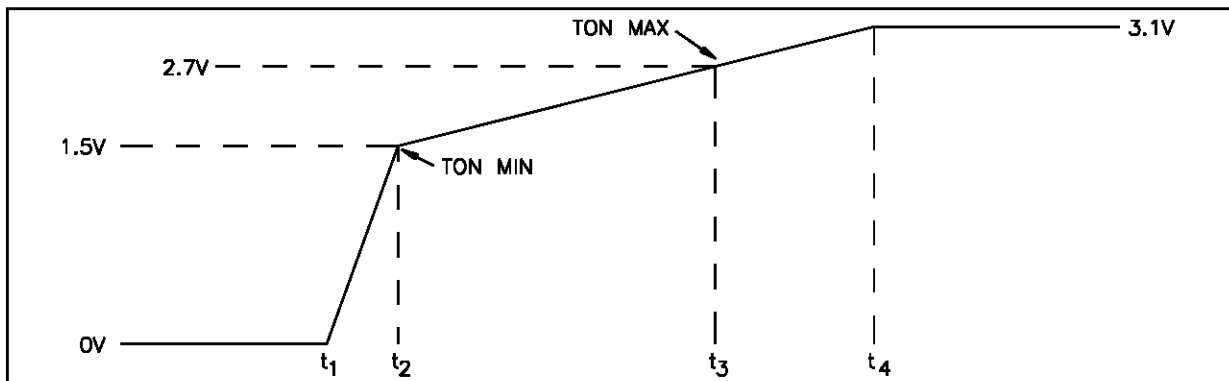
Consequently the regulation loop is in an overvoltage equivalent state and the output pulses disappear. The output voltage decreases and when it reaches a value near 0.9 times the normal regulation value, the voltage applied to the non inverting input is switched again to the normal value  $V_{REF} = 2.5V$ . Pulses applied to the power transistor reappear, the output voltage increases again, and so on... A relaxation operation is obtained, generating the burst.

Futhermore, to avoid a current peak at the beginning of each burst, the soft-start is used at this instant.

**Advantages of this method**

- improved power supply efficiency compared with traditional systems, for low power transmission.
- automatic burst-mode continuous mode transition, as a function of the output power.
- high stand-by power range.
- burst frequency and duty cycle adjustable with external components to the circuit.

Figure 16 :  $C_1$  Voltage (Pin 9)



# HIGH PERFORMANCE DRIVER CIRCUITS FOR S.M.P.S

## II.7 - IS Logic (Figure 17)

During the transition from the "stand-by" mode to the "normal operating" mode, conduction pulses generated by the secondary regulator occur concurrently with those from the primary regulator. These pulses are non-synchronous and this may be dangerous for the switching transistor. For example if the transistor is switched-on again during the overvoltage phase, just after switching-off, the FBSOA may not be respected and the transistor damaged.

To solve this problem a special arrangement checking the magnetization state of the power transformer is used.

The aim of the IS Logic is therefore to monitor the primary regulation pulses (TA) and the secondary regulation pulses (Pin 2), and to deliver a signal TB compatible with the power transistor safety require-

ments.

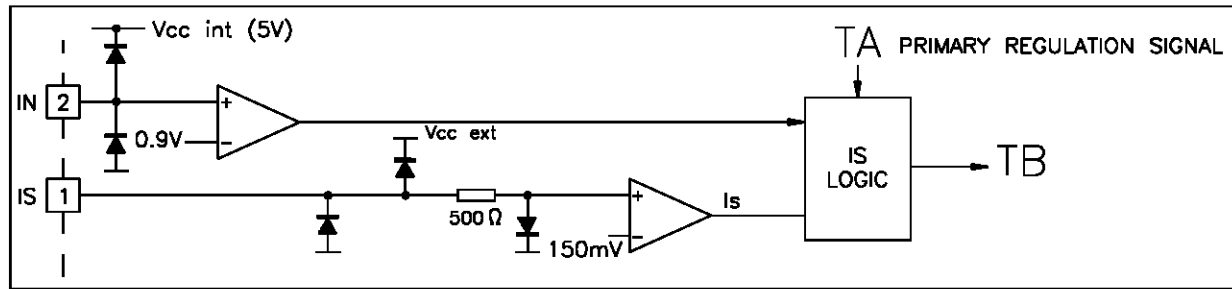
The IS Logic block comprises mainly two D flip-flops.

When a conduction signal arrives, the corresponding flip-flop is set in order to inhibit a conduction signal coming from the other regulation loop. Both flip-flops are reset by the negative edge of the signal applied to the demagnetization sensing input (IS Pin 1).

**Note :** The demagnetization checking device just described is only active when there are concurrently primary and secondary pulses, which in practice only occurs during the transient phase from Stand-by mode to normal mode.

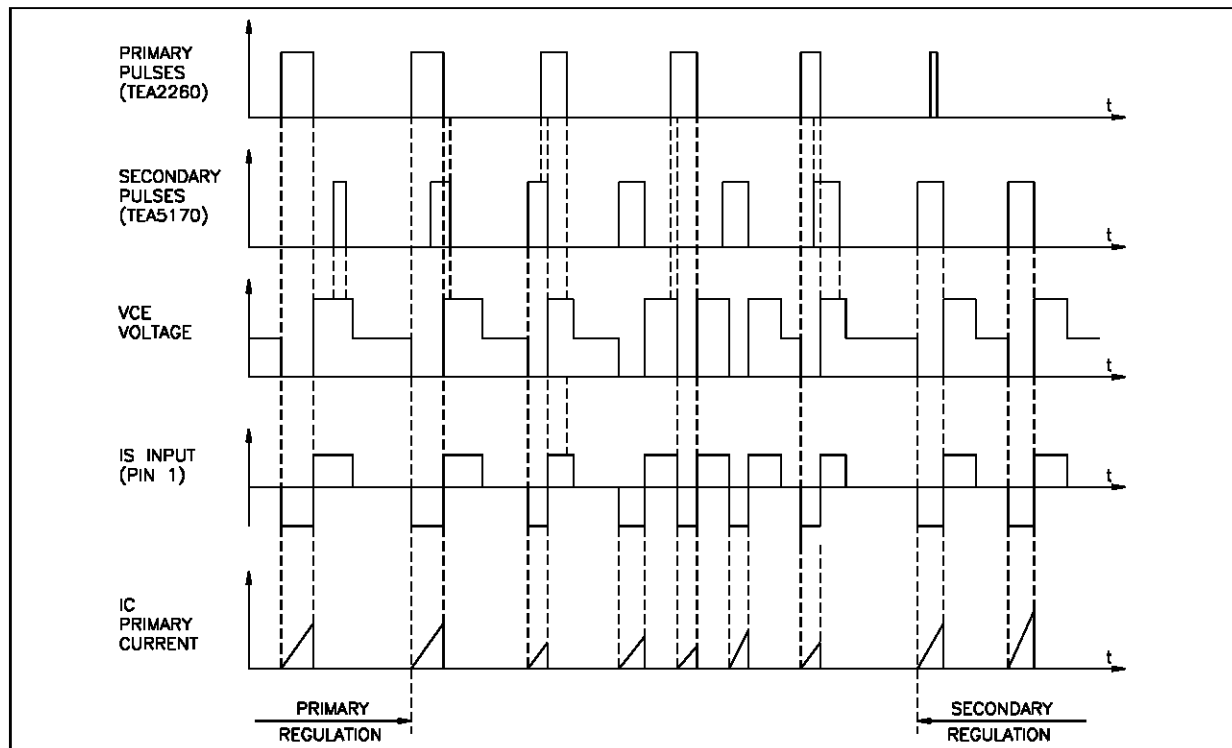
When the power supply is in primary regulation mode **or** in secondary regulation mode, the demagnetization checking function is not activated.

**Figure 17 :** IS Logic Principle Schematic



376-17.EPS

**Figure 18**



376-18.EPS

## II.8 - Safety Functions :

Differences between TEA2260 and TEA2261

### TEA2260

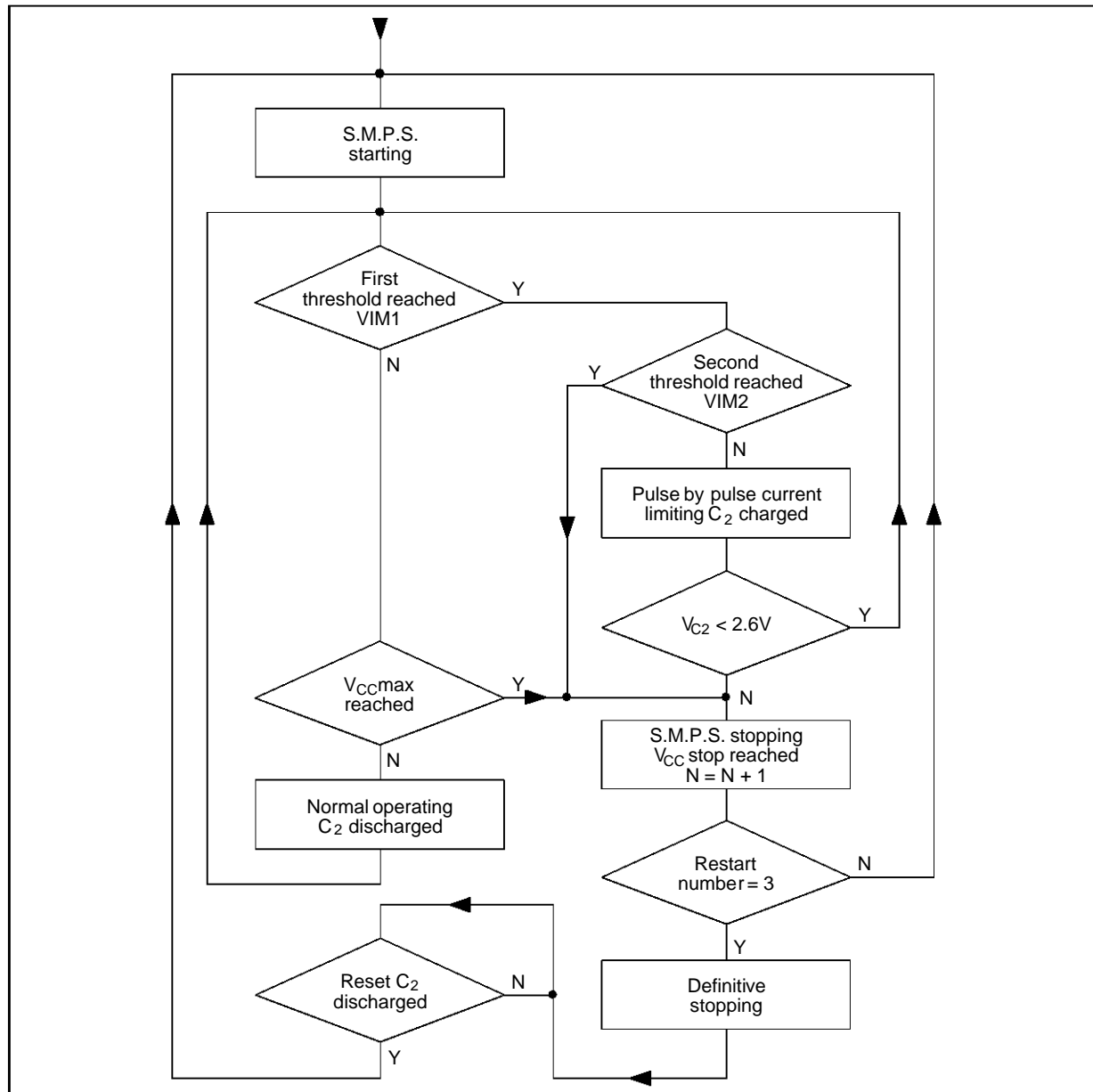
Concerning the safety functions,  $V_{CC(max)}$  (over-voltage detection) VIM1, VIM2 (overcurrent detection) the TEA2260 uses an internal counter which is incremented each time  $V_{CCstop}$  is reached (after fault detection) and try to restart. After 3 restarts with fault detection the power supply stops. But in certain cases where the TV set is supplied for a long time, without switch off, the power supply could

stop (cases of tube flashes). In this case it is necessary to switch off the TV set and switch on again to reset the internal counter.

### TEA2261

The safety detections are similar to TEA2260 for  $V_{CC(max)}$  (overvoltage detection) VIM1, VIM2 (overcurrent detection), but each time a fault detection is operating the  $C_2$  capacitor is loaded step by step up to 2.6V, (case of long duration fault detection) and the power supply stops. To discharge  $C_2$  capacitor it is necessary to switch off the TV set and to switch on again and the power supply starts up.

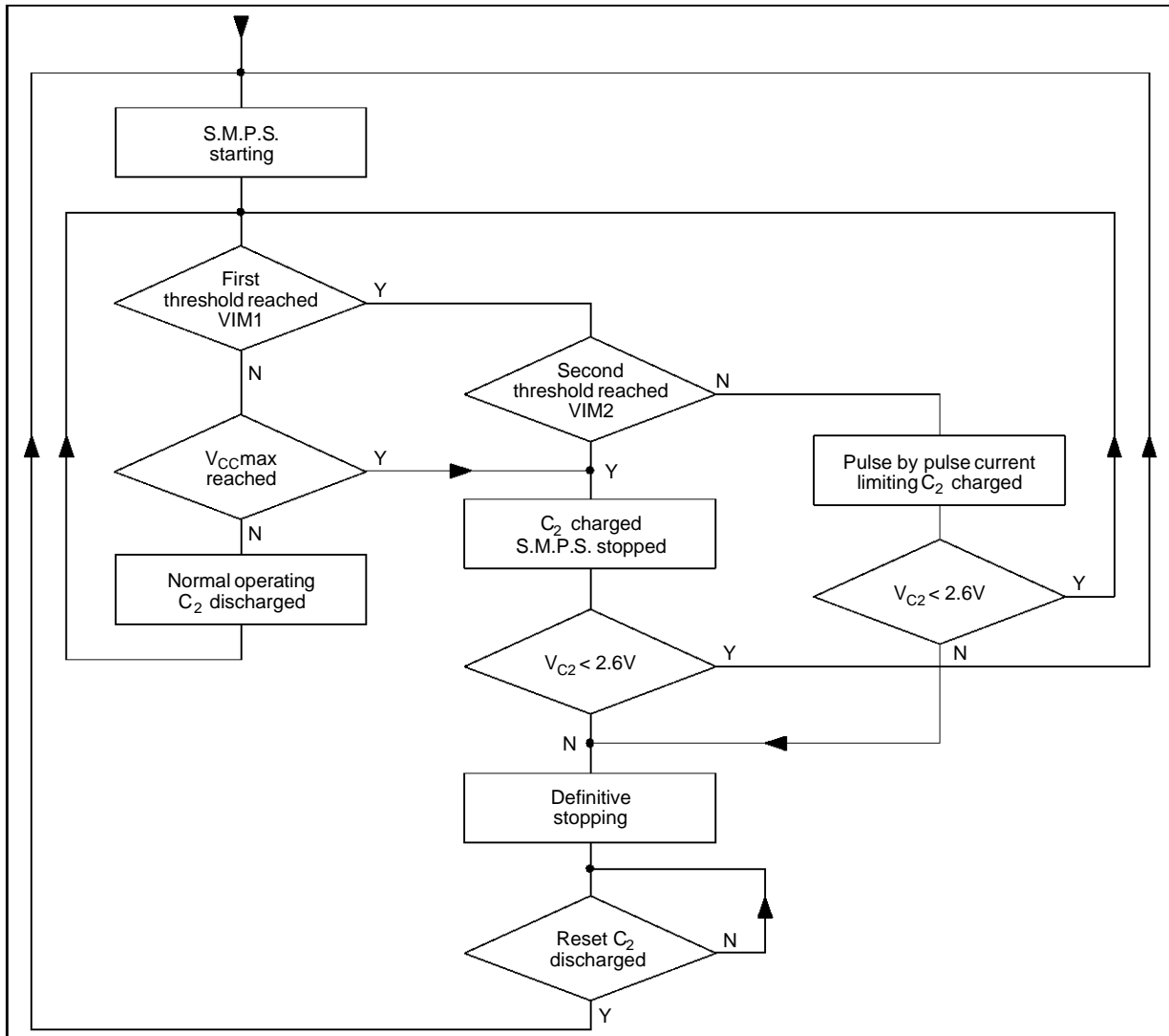
**Figure 19 :** TEA2260 Safety Functions Flowchart



376-19.EPS

# HIGH PERFORMANCE DRIVER CIRCUITS FOR S.M.P.S

**Figure 20 : TEA2261 Safety Functions Flowchart**



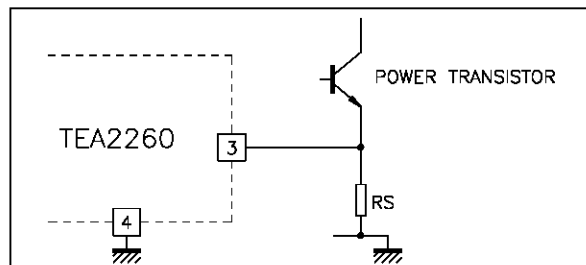
376-20.EPS

## II.8.1. I Max (power transistor current limitation)

The current is measured by means of a resistor inserted in the emitter of the power transistor. The voltage obtained is applied on Pin 3 of the TEA2260/61.

The current limitation device of the TEA2260/61 is a double threshold device. For the first threshold, there is no difference between the two devices, only for the second threshold.

**Figure 21**

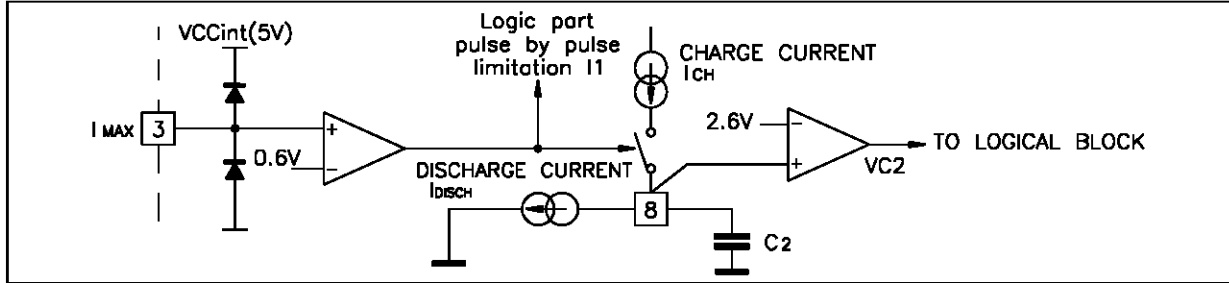


376-21.EPS



## II.8.1.1 - First threshold : VIM1 (typical value)

**Figure 22** : Current Limitation Schematic Principle. First Threshold Part.



Two actions are carried out when the first threshold is reached

- The power transistor is switched-off (pulse by pulse limitation). A new conduction pulse is necessary to switch-on again.
- The  $C_2$  capacitor, which is continuously discharged by  $I_{DISCH}$  current ( $10\mu A$  typically), is charged by the current  $I_{CH} - I_{DISCH}$  ( $45\mu A - 10\mu A = 35\mu A$  typically), until the next conduction pulse.

The capacitor  $C_2$  is charged as long as an output overload is triggering the first current limitation

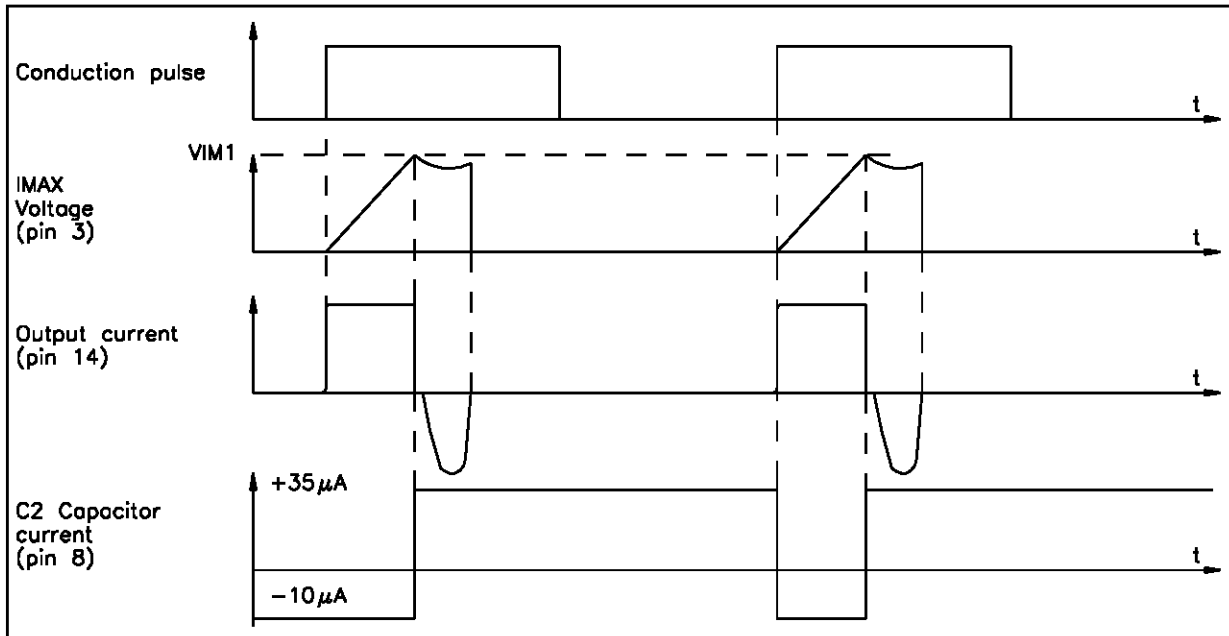
threshold. When the voltage across  $C_2$  reaches the threshold  $V_{C2}$  (typically  $2.55V$ ), output pulses (pin 14) are inhibited and the SMPS is stopped.

A restart may be obtained by decreasing  $V_{CC}$  under the  $V_{CC(stop)}$  threshold to reset the IC.

If the output overload disappears before the voltage across  $C_2$  reaches  $V_{C2}$ , the capacitor is discharged and the power supply is not turned off.

Due to this feature, a transient output overload is tolerated, depending on the value of  $C_2$  (see III.2.5).

**Figure 23** : Example of First Current Limitation Threshold Triggering



## HIGH PERFORMANCE DRIVER CIRCUITS FOR S.M.P.S

### II.8.1.2 - Second current limitation threshold (VIM2) for TEA2260

In case of hard overload or short circuit, despite the pulse by pulse current limitation operation, the current in the power transistor continues to increase. If the second threshold VIM2 is reached, the power supply is immediately turned off and the internal counter is incremented. After 3 restarts, the power supply is definitively stopped. Restart is obtained by decreasing  $V_{CC}$  below  $V_{CC(stop)}$ , as in the case of stopping due to the repetitive overload protection triggering.

### II.8.1.3 - Second current limitation threshold (VIM2) for TEA2261

For this device, if the second threshold is reached, the power supply is turned off,  $C_2$  is charged and a new start-up is authorized only if  $V_{C2} < 2.6V$ .

### II.8.2 - Logical Block

This block receives the safety signals coming from different blocks and inhibits the conduction signals when necessary.

#### II.8.2.1 - Logical block for TEA2260

**TB** is the conduction signal (primary or secondary) coming from the  $I_s$  logical block.

**TC** is the conduction signal transmitted to the output stage.

**$I_1$**  is the output signal of the first current limitation threshold comparator. It is memorized by the flip-flop B1.

**$I_2$**  is the output signal of the second current limitation threshold comparator

**$V_{C2}$**  is the output signal of the comparator checking the voltage across  $C_2$ .

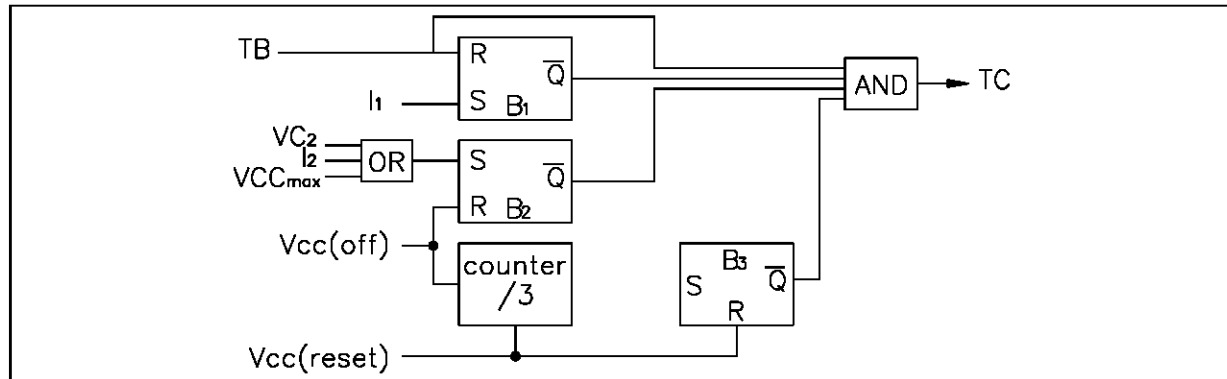
**$V_{CC(Max)}$**  is the signal coming from  $V_{CC}$  checking comparator.

These three signals  $V_{C2}$ ,  $I_2$ ,  $V_{CC(max)}$  are memorized by  $B_2$ .

In case of  $B_2$  flip-flop setting ( $I_2$  or  $V_{C2}$  or  $V_{CC(max)}$  defect) the current consumption on  $V_{CC}$  increases. This function allows to decrease the  $V_{CC}$  voltage until  $V_{CC(stop)}$ . After this the current consumption on  $V_{CC}$  decreases to  $I_{CC(start)}$  and a new start up is enabled.

The  $V_{CC(off)}$  signal comes from the comparator checking  $V_{CC}$ . A counter counts the number of  $V_{CC(off)}$  establishment. After four attempted starts of the power supply the output of the circuit is inhibited. To reset the circuit it is necessary to decrease  $V_{CC}$  below 5.5V typically. In practice this means that the power supply has to be disconnected from the mains.

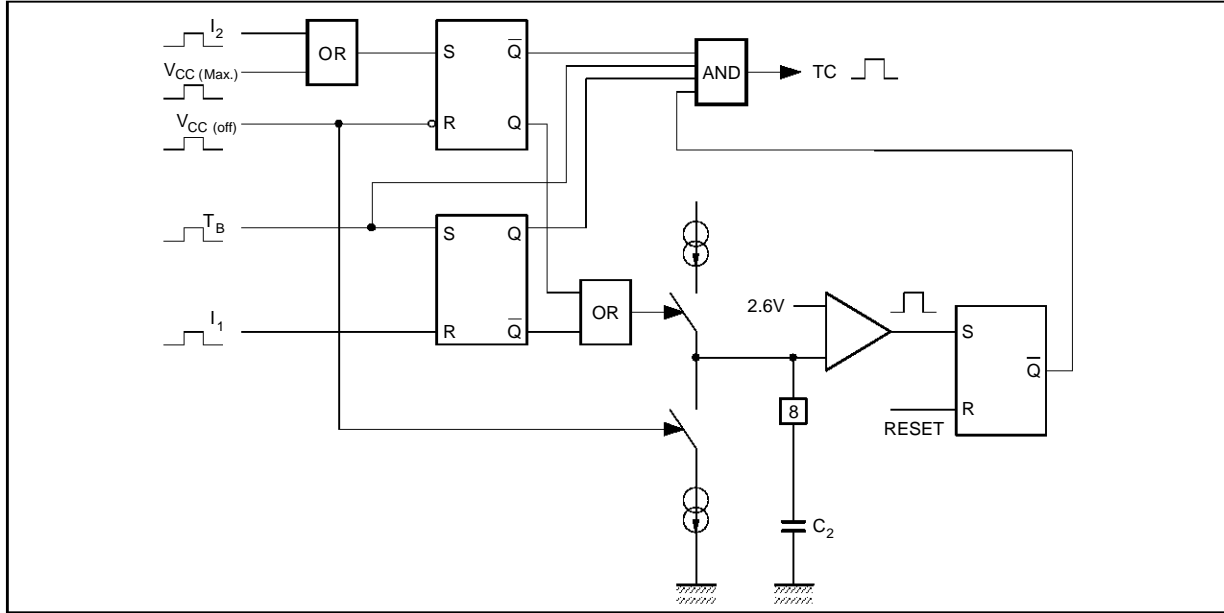
Figure 24 : TEA2260 Simplified Logical Block Diagram



376-24.EPS

II.8.2.2 - Logical block for TEA2261

Figure 25



$V_{CC(off)}$  is a signal coming from a comparator checking  $V_{CC}$ . When  $V_{CC} > V_{CC(stop)}$ ,  $V_{CE(off)}$  is high.

$V_{CC(max)}$  is a signal coming from a comparator checking  $V_{CC}$ . When  $V_{CC} > V_{CC(max)}$ ,  $V_{CC(max)}$  is high.

$I_1$  is a signal coming from the first current limitation threshold comparator.  
When  $I_{max} \times R_{SHUNT} > V_{IM1}$ ,  $I_1$  is high.

$I_2$  is a signal coming from the second current limitation threshold comparator.  
When  $I_{max} \times R_{SHUNT} > V_{IM2}$ ,  $I_2$  is high.

TB is the conduction signal coming from the error amplifier system.

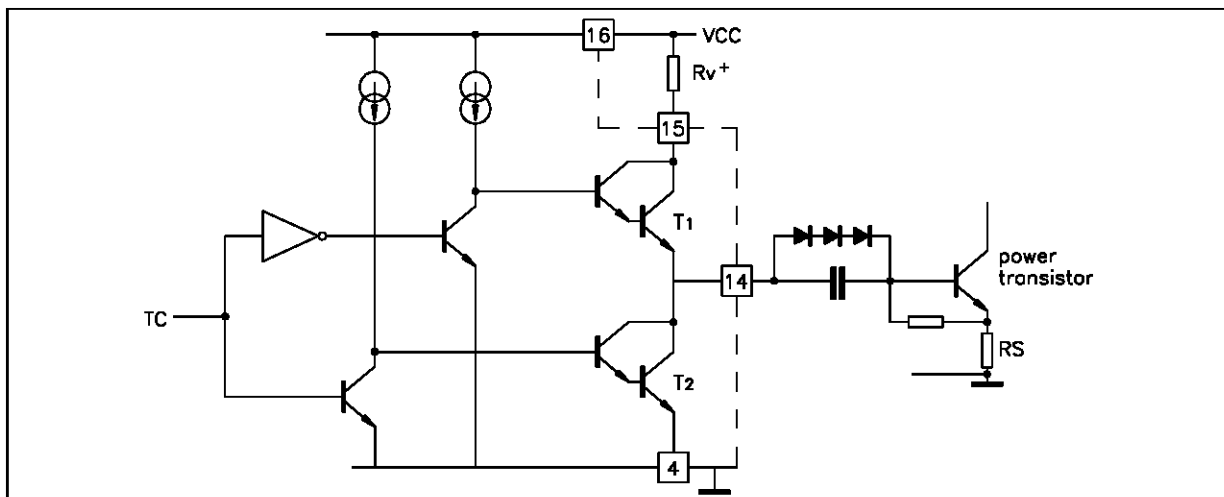
TC is the output signal transmitted to the output stage.

II.9 - Output Stage

The output stage is made of a push-pull configuration : the upper transistor is used for power transistor conduction and the lower transistor for power transistor switch-off.

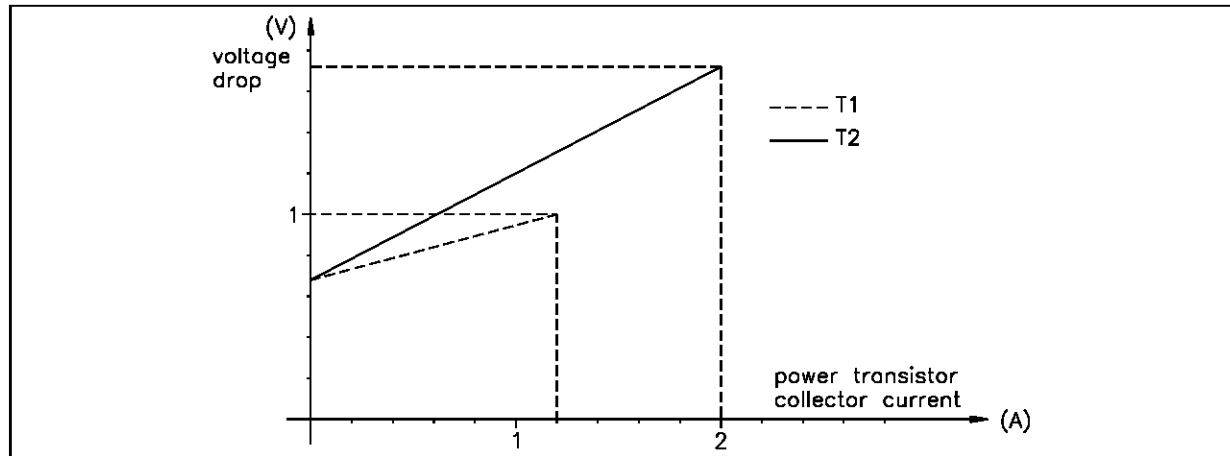
A capacitive coupling is recommended in order to provide a sufficient negative base current through the power transistor .

Figure 26



## HIGH PERFORMANCE DRIVER CIRCUITS FOR S.M.P.S

**Figure 27** : Typical Voltage Drops of Output Transistor versus Current



**Important remark** : Due to the internal output stage structure, the output voltage (Pin 14) must never exceed 5V. This condition is respected when a bipolar transistor is driven.

Note that Power-MOS transistor drive is not possible with the TEA2260/61.

### III - TV APPLICATION 120W - 220 VAC - 16kHz SYNCHRONIZED ON HORIZONTAL DEFLECTION FREQUENCY

General structure and operational features of this power supply were outlined in section I.

The details covered below apply to a power supply application using the master circuit TEA5170.

(refer to TEA5170 data sheet and TEA5170 application note "AN088" for further details).

#### III.1 - Characteristics of Application

- Discontinuous mode Flyback SMPS
- Standby function using the burst mode of TEA2260/61
- Switching Frequency
  - Normal mode : 15.625 kHz (synchronized on horizontal deflection frequency)
  - Standby mode : about 16kHz
- Nominal mains voltage : 220 VAC
- Mains voltage range : 170 VAC to 270 VAC
- Nominal output power : 120W
- Output power range in normal mode  $14W < P_O < 120W$
- Output power range in standby mode  $1W < P_O < 25W$
- Efficiency
  - Normal mode : 85% (under nominal conditions)
  - Stand by mode : 45%
- Regulation performance on high voltage output : 140 VDC

- $\pm 0.3\%$  versus mains variations of 170 VAC to 270 VAC ( $P_{OUT} : 120W$ )
- $\pm 0.5\%$  versus load variations of 14W to 120W ( $V_{in} = 220 VAC$ )
- Overload protection and complete shut down after a predetermined time interval.
- Short circuit protection.
- Open load protection by output overvoltage detection
- Complete power supply shut-down after 3 restarts resulting in the detection of a fault condition.
- Complete power supply shut-down when  $V_{C2}$  reaches 2.6V for TEA2261.

#### III.2 - Calculation of External Components

Also refer to TEA5170 application note "AN-088" for calculation methods applicable to other power supply components.

The external components to TEA2260/61 determine the following parameters :

- Operating Frequency in primary regulation
- Minimum conduction time in primary regulation
- Soft start duration
- overload duration
- Error amplifier gain and stand-by output voltage
- Base drive of the switching transistor
- Primary current limitation

#### Ideal values

- Free running Frequency in stand-by mode : 16kHz
- $T_{on(min)}$  duration :  $1\mu s$
- Soft start duration : 30ms
- Maximum overload duration : 40ms
- Error amplifier Gain : 15
- Maximum primary current depends on the transformer specifications

### III.2.1 - Transformer calculation

The following important features must be considered to calculate the specifications of the transformer :

- Maximum output power : 120W
- Minimum input voltage :
- 220 VAC - 20% →  $V_{in(min)} = 210$  VDC with 40V ripple on the high voltage filtering capacitor
- Switching Frequency : 15.625kHz
- Maximum duty cycle : 0.45
- Output voltages :
  - + 140V - 0.6A
  - + 14V - 0.5A
  - + 25V - 1A
  - + 7.5V - 0.6A
  - + 13V - 0.3A

#### Maximum primary current

$$I_{P(max)} = 2 \times \frac{P_{OUT}}{\eta \times V_{IN(min)} \times \frac{T_{ON(max)}}{T}}$$

$\eta$  : efficiency of the power supply  $0.80 < \eta < 0.85$

#### Primary inductance of the transformer

$$L_P = \frac{V_{IN(min)}}{I_{P(max)}} \times T_{ON(max)}$$

#### Transformer ratio

$$\frac{n_s}{n_p} = \frac{(V_{OUT} + V_D) \times T_{DM}}{V_{IN(min)} \times T_{ON(max)}}$$

#### Reflected voltage

$$V_R = \frac{1}{\frac{T}{T_{ON(max)}} - 1} \times V_{IN(min)}$$

#### Overvoltage due to the leakage inductance

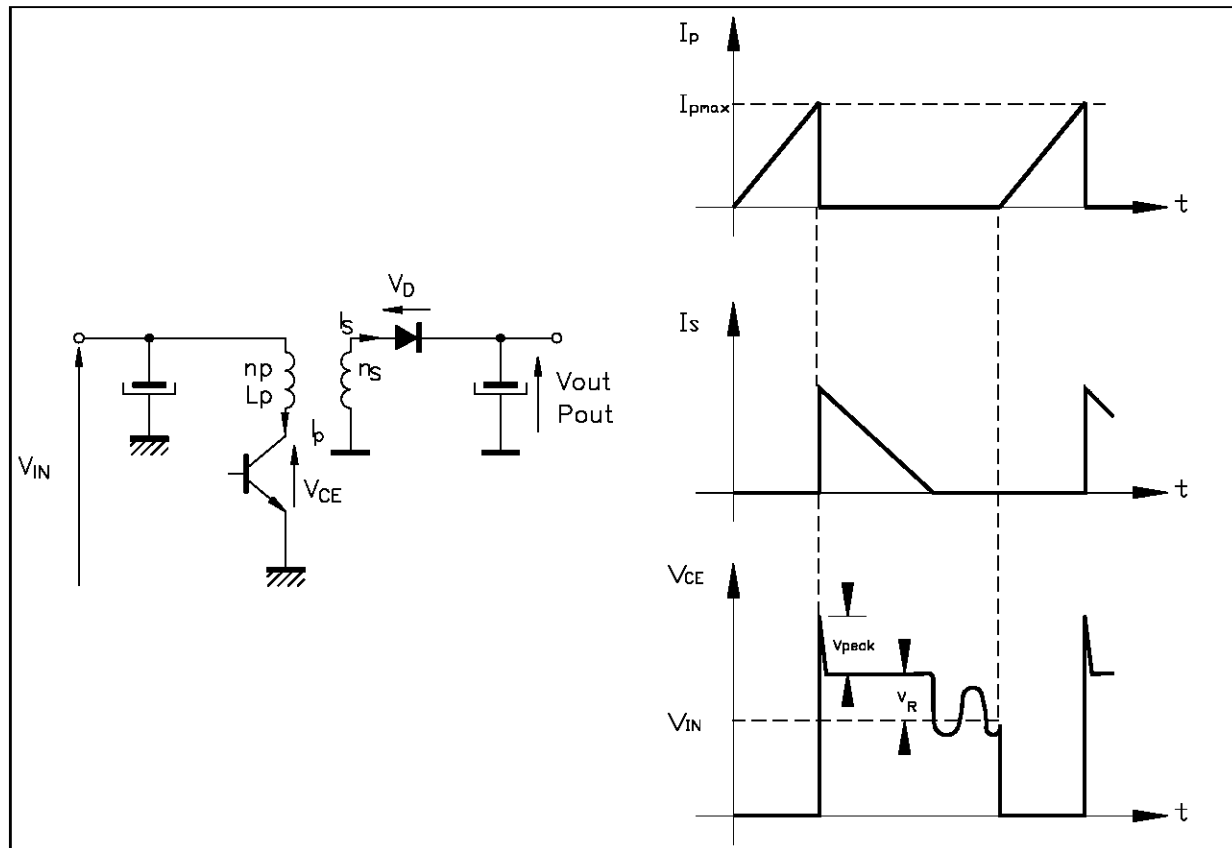
$$V_{PEAK} = \frac{I_{P(max)}}{2} \times \sqrt{\frac{L_f}{C}}$$

with :  $L_f$  = leakage inductance of the transformer

$$0.04 \times L_p < L_f < 0.10 \times L_p$$

$C$  = capacitor of the snubber network (see III.2.2.2)

**Figure 28**



376-28A.EPS / 376-28B.EPS

# HIGH PERFORMANCE DRIVER CIRCUITS FOR S.M.P.S

## Numerical application

To determinate the specifications of the transformer, it is necessary to make a compromise between a maximum primary current and a maximum voltage on the transistor :

- To minimize the maximum primary current

$$\text{with } 0.4 < \frac{T_{ON(max)}}{T} < 0.5$$

- To minimize the maximum voltage on the transistor during the demagnetization phase.

$$0.3 < \frac{T_{ON(max)}}{T} < 0.4$$

When the output power of the power supply is greater than 100W it is better to minimize the maximum primary current because the current gain  $B_f = I_C / I_B$  of bipolar transistor is  $1.5 < B_f < 6$

Choice :  $\frac{T_{ON(max)}}{T} < 0.45$

$$I_{P(MAX)} = \frac{2 \times P_{OUT}}{\eta \times V_{IN(MIN)} \times \frac{T_{ON(MAX)}}{T}} = \frac{2 \times 120}{0.85 \times 210 \times 0.45} = 3A$$

$$L_P = \frac{V_{IN(MIN)}}{I_{P(MAX)}} \times T_{ON(MAX)} = \frac{210}{3} \times 0.45 \times 64 \times 10^{-6} = 1.95mH$$

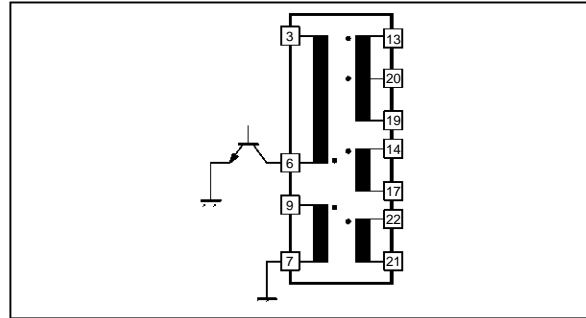
$$V_R = \frac{1}{\frac{T}{T_{ON(MAX)}} - 1} \times V_{IN(MIN)} = \frac{1}{\frac{1}{0.45} - 1} \times 210 = 172V$$

$V_{PEAK}$  will be calculated with the snubber network determination (see II.2.2.2.1)

## III.2.1.1 - Transformer specification

- Reference : OREGA - SMT5 - G4467-03
- Mechanical Data :
  - Ferrite : B50
  - 2 cores : 53 x 18 x 18 (mm) THOMSON-LCC
  - Airgap : 1.7 mm
- Electrical Data :

Figure 29



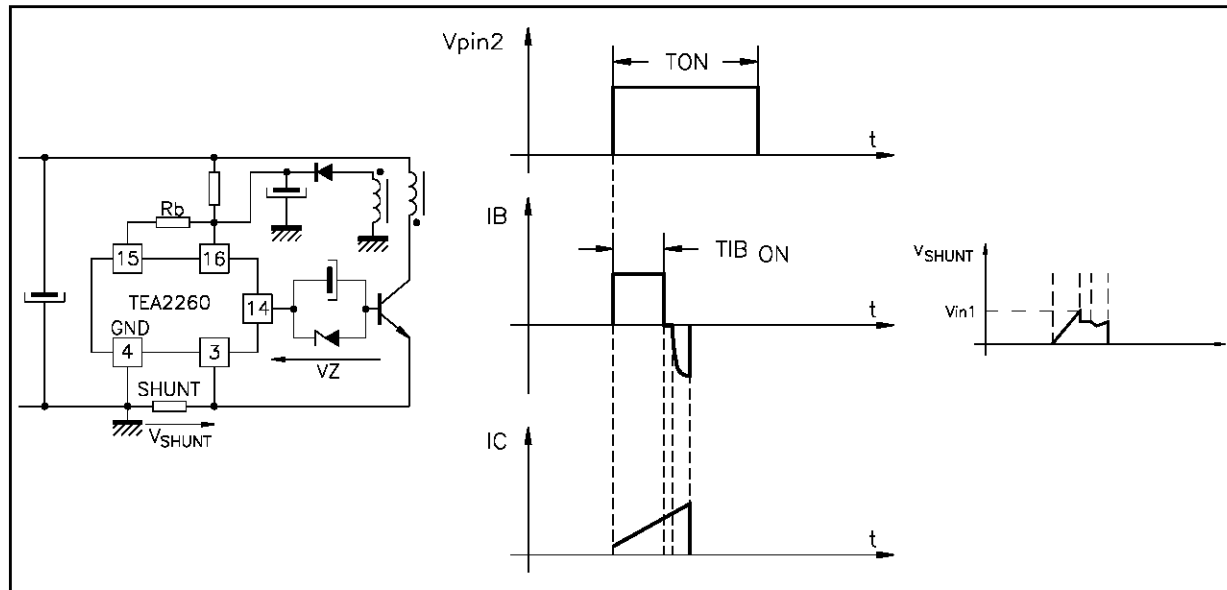
376-29.EPS

Winding	Pin	Inductance
nP	3-6	1.95μH
nAUX	7-9	8.1μH
n2	19-13	770μH
n3	19-20	8.2μH
n4	14-17	4.2μH
n5	22-21	31.7μH

## III.2.2 - Switching transistor and its base drive

### III.2.2.1 - First current limitation

Figure 30 : Current Limitation



376-30A.EPS / 376-30B.EPS / 376-30C.EPS

**Note :** in current limitation  $T_{IBon} < T_{ON}$

The current measurement is  $I_E = I_B + I_C$

The maximum collector current calculated in III.2.1 is  $I_{C(Max.)} = 3A$  (a switching transistor SGSF344 may be chosen)

The current gain is:  $B_f = \frac{I_C}{I_{B+}} = 3.5$

The current limitation is :

$$I_{E(max)} = I_{P(max)} - (T_S \times \frac{V_{IN(min)}}{L_P}) + I_{B+}$$

with :  $T_S$  = storage time of the switching transistor (typ  $3\mu s$ ) and  $V_{IM1}$  = first threshold of current measurement (typ 0.6 v)

$$R_{SHUNT} = \frac{V_{IM1}}{I_{E(max)}}$$

### Numerical application

$$I_{E(max)} = I_{P(max)} - (T_S \times \frac{V_{IN(min)}}{L_P}) + I_{B+}$$

$$I_{E(max)} = 3 - (3 \times 10^{-6} \times \frac{210}{1.95 \times 10^{-3}}) + 0.85 = 3.55A$$

$$R_{SHUNT} = \frac{V_{IM1}}{I_{E(max)}} = \frac{0.6}{3.255} = 0.169\Omega$$

### III.2.2.2 - Snubber network

A R.D.C network is used to limit the overvoltage on the transistor during the switching off time.

When the transistor is switched off, the capacitor is charged directly through the diode.

When the transistor is switched on, the capacitor is discharged through a resistor.

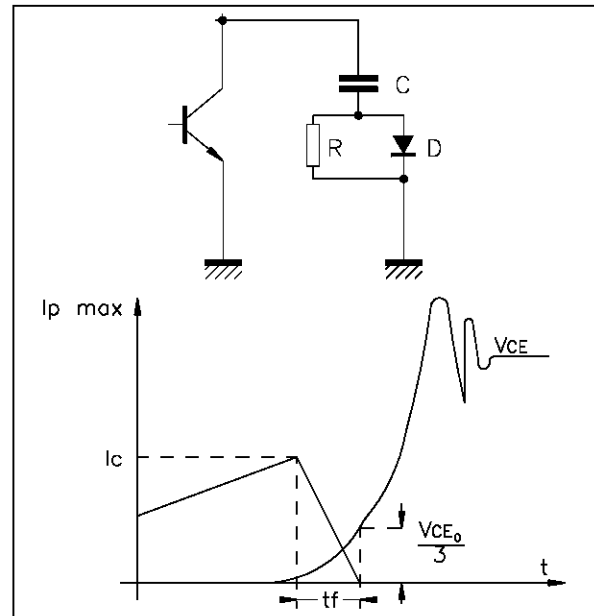
$$- C = \frac{I_{P(max)} \times t_f}{2 \times \frac{V_{CE0}}{3}}$$

-  $3 \times R \times C = T_{on(min)}$   
(to discharge the capacitor C by the correct amount)

- Maximum power dissipated in R :

$$P = \frac{1}{2} \times C \times (V_{IN(max)} + V_R)^2 \times F$$

**Figure 31**



**Numerical application (with SGSF 344 transistor) with :**

$$I_{P(Max.)} = 3A - V_{IN(Max.)} = 370 \text{ VDC}$$

$$t_f = 0.3\mu s - V_R = 172V$$

$$V_{CE0} = 600V - F = 16kHz$$

$$T_{ON(Min.)} = 4\mu s$$

$$C = \frac{I_{P(max)} \times t_f}{2 \times \frac{V_{CE0}}{3}} = \frac{3 \times 0.3 \times 10^{-6}}{2 \times \frac{600}{3}} = 2.25nF$$

$$R = \frac{T_{ON(min)}}{3 \times C} = \frac{4 \times 10^{-6}}{3 \times 2.25 \times 10^{-9}} = 560\Omega$$

$$P = \frac{1}{2} \times C \times (V_{IN(max)} + V_R)^2 \times F$$

$$P = \frac{1}{2} \times 2.25 \times 10^{-9} \times (370 + 172)^2 \times 16 \times 10^3 = 5.29W$$

In the final application a value of 2.7nF is chosen to decrease the overvoltage on the transistor in short circuit condition.

376-31A.EPS / 376-31B.EPS

# HIGH PERFORMANCE DRIVER CIRCUITS FOR S.M.P.S

## III.2.2.1 - Overvoltage due to the leakage inductance (See. III.2.1)

The capacitor C of the snubber network influences the overvoltage due to the leakage inductance.

$$V_{peak} = \frac{I_{C(max)}}{2} \sqrt{\frac{L_f}{C}}$$

### Numerical application

with :  $L_f = 0.08 \times L_p = 0.08 \times 1.9 \times 10^{-3} = 152 \mu H$

$$V_{peak} = \frac{3}{2} \times \sqrt{\frac{152 \times 10^6}{2.25 \times 10^9}} = 390V$$

SO  $V_{CE(Max.)} = V_{IN(Max.)} + V_R + V_{peak} = V_{CE(Max.)} = 370 + 172 + 390 \approx 930V$

## III.2.2.3 - Base drive

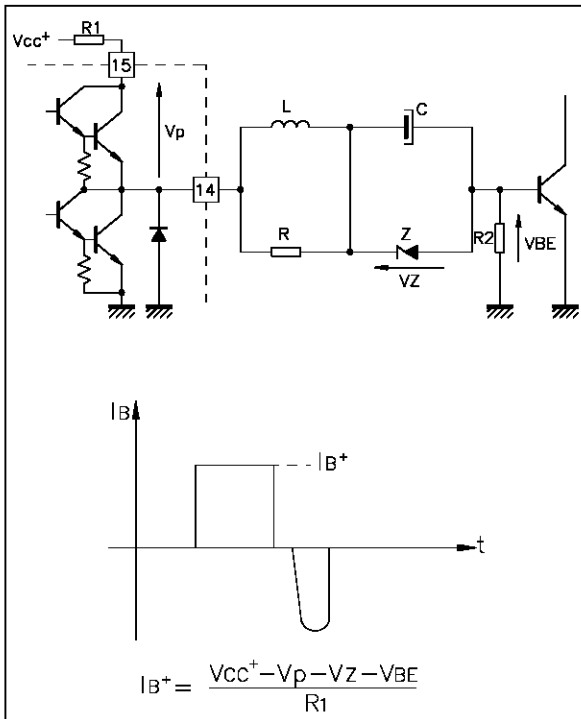
The output stage of the TEA2260/61 works in saturation mode and hence the internal power dissipation is very low.

$$R1 = \frac{V_{CC+} - V_P - V_Z - V_{BE}}{I_{B+}}$$

### Numerical application

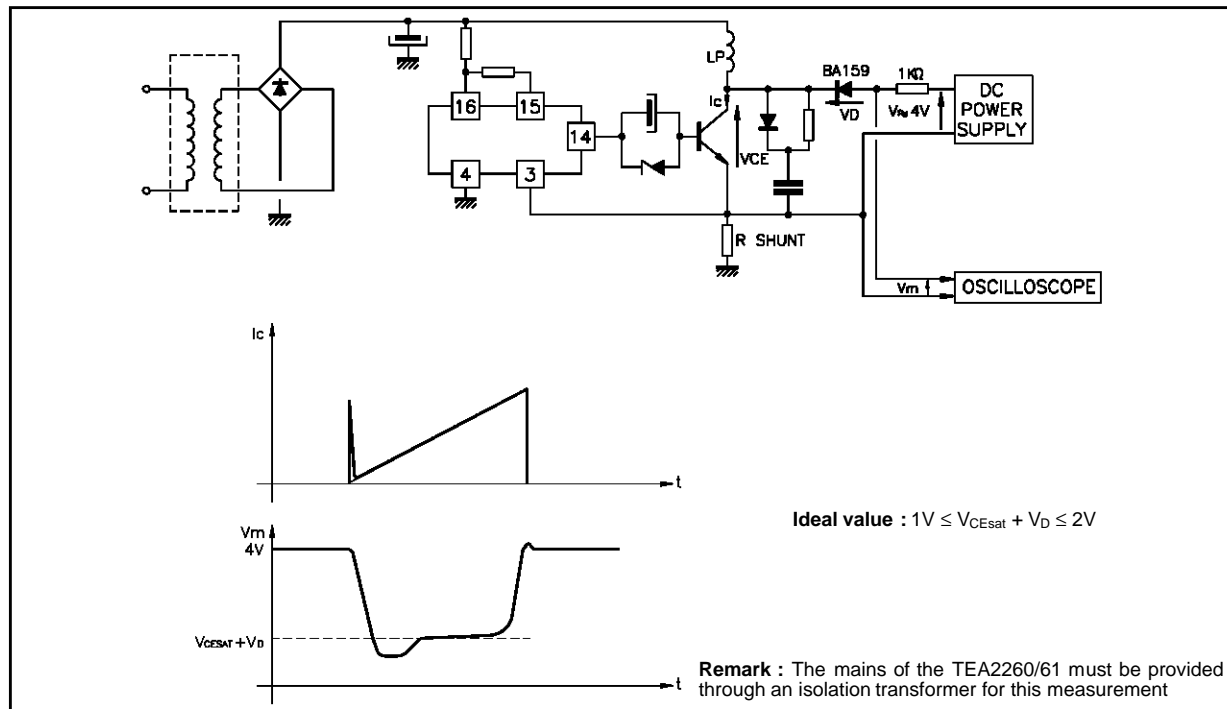
$R1 = \frac{13 - 0.9 - 3 - 0.6}{0.85} \approx 10 \Omega$  in this case the current gain,  $BF = \frac{I_C}{I_B} = \frac{3}{0.85} = 3.5$  but it is recommended to verify the VCE sat dynamic behaviour on the transistor as follows : see Figure 33

Figure 32



376-32A.EPS / 376-32B.EPS

Figure 33



376-33A.EPS / 376-33B.EPS



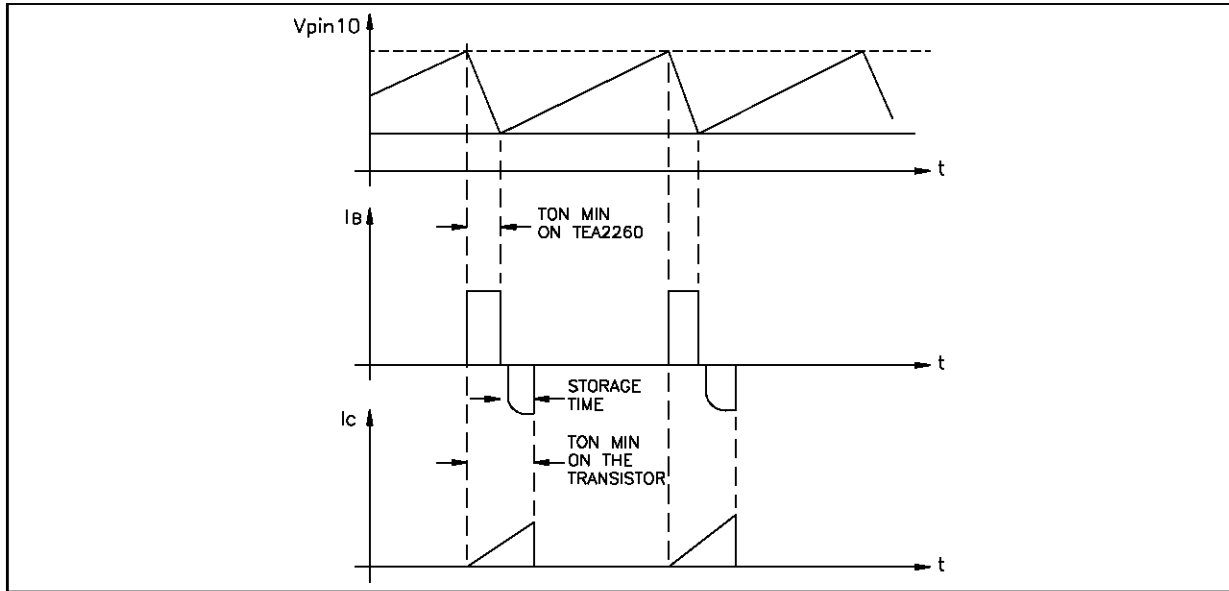
### III.2.3 - Oscillator frequency

The free running frequency is given on II.2.

The typical value of minimum conduction time  $T_{on(min)}$  on the output of the TEA2260/61 is given by:  
 $T_{on(min)} = 1040 \times C_O$

**Note :** the minimum conduction time  $T_{ON(min)}$  on the transistor is longer due to the storage time.

**Figure 34**



### Numerical application

$$F_O = 16\text{kHz}$$

$C_O$  is chosen at  $1\text{nF}$

so  $T_{ON min}$  on the TEA2260/61 =  $1\mu\text{s}$

$$R_O = \frac{1}{F_O \times C_O \times 0.66} - 1.57 \cdot 10^3$$

$$R_O = \frac{1}{16 \cdot 10^3 \times 1 \cdot 10^{-9} \times 0.66} - 1.57 \cdot 10^3$$

$$R_O = 93 \text{ K}\Omega$$

$R_O = 100\text{k}\Omega$  is chosen.

**Note :**  $F_o$  is chosen relatively low to avoid magnetization of the transformer during the start-up phase.

### III.2.4 - Regulation loop

In stand by mode the error amplifier of the TEA2260/61 carries out the regulation.

- The R.C. filter is necessary to avoid the peak voltage due to the leakage inductance. The time constant  $\tau = RC$  is about  $30\mu\text{s} < R.C. < 150\mu\text{s}$  as a function of the transformer technology.
- To achieve a stable behaviour of the regulation loop and to decrease the ripple on the output voltage in stand by mode the time constant should be approximately :

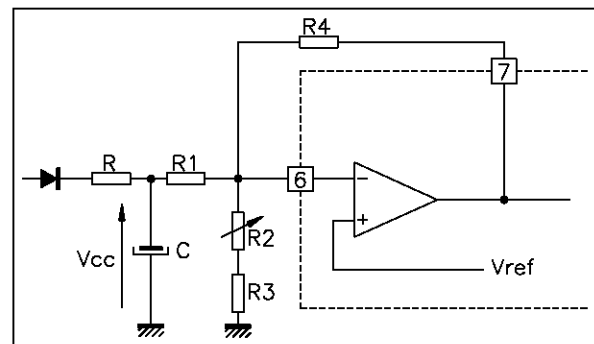
$$(R1 + R2 + R3) \times C \cong \frac{R_{OUT} \times C_{OUT}}{15}$$

with :  $C_{OUT}$  (filtering output capacitor) and  $R_{OUT}$  (load resistor on the output in stand by mode)

- To ensure a stable behaviour in stand-by mode the amplifier gain is chosen to :

$$G = \frac{R4}{R2 + R3} \cong 15$$

**Figure 35**



### Calculation of R, R1, R2, R3, R4

a) The resistor R is given by

$$R = \frac{\tau}{C}$$

C chosen between  $1\mu\text{F} < C < 10\mu\text{F}$

$\tau = 80\mu\text{s}$  is chosen

$C = 2.2\mu\text{F}$  is chosen

## HIGH PERFORMANCE DRIVER CIRCUITS FOR S.M.P.S

### Numerical application

$$S_o R = \frac{\tau}{C} = \frac{80 \cdot 10^{-6}}{2.2 \cdot 10^{-6}} = 36\Omega$$

b) The resistors R1, R2, R3 are given by

$$R1 + R2 + R3 \cong \frac{C_{OUT} \times R_{OUT}}{15 \times C}$$

with :

$V_{ref}$  : reference voltage of the error amplifier

$$V_{ref} = 2.5V$$

$V_{CC}(\text{stand by})$  :  $V_{CC}$  voltage in stand by mode.

$$V_{CC}(\text{stand by}) = 0.9 \times V_{CC} \text{ (in normal mode)}$$

### Numerical application

with :

$$V_{CC} = 13V$$

$$V_{ref} = 2.5V$$

$$R_{out} = 2k\Omega \text{ on output } 135V$$

$$C_{out} = 100\mu F \text{ on output } 135V$$

$$C = 2.2\mu F$$

$$R1 + R2 + R3 \cong \frac{C_{OUT} \times R_{OUT}}{15 \times C} = \frac{100 \cdot 10^{-6} \times 2 \cdot 10^3}{15 \times 2.2 \cdot 10^{-6}} = 6k\Omega$$

$$R2 + R3 = (R1 + R2 + R3) \times \frac{V_{REF}}{V_{CC}(\text{stand by})}$$

$$R2 + R3 = 6 \cdot 10^3 \times \frac{2.5}{0.9 \times 13} = 1.28k\Omega$$

values choosen :

R2 potentiometer resistor of 1k $\Omega$

R3 fixed resistor 1k $\Omega$

$$R1 = (R1 + R2 + R3) - (R2 + R3)$$

$$R1 = 6k - 1.28k = 4.7k\Omega$$

c) The resistor R4 is given by  $R4 \cong 15 \times (R2 + R3)$

### Numerical application

$$R4 \cong 15 \times (R2 + R3) \cong 15 \times (1.28 \cdot 10^3) \cong 18k\Omega$$

### III.2.5 - Overload capacitor

When an overload is detected with the first threshold VIM1 the capacitor C2 (pin 8) is charged until the end of the period as shown in figure 33.

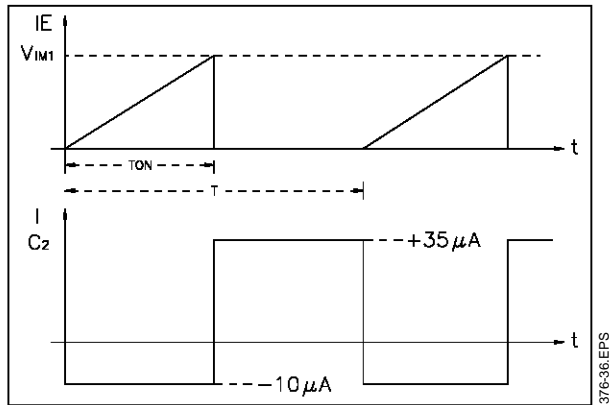
So the average load current is given by :

$$I_{C2} = \frac{T - T_{ON}}{T} \times I_{CH} - I_{DISCH}$$

the threshold to cut off the TEA2260/61 power supply is 2.5V typically and hence the delay time before overload detection is given by :

$$T_{overload} = \frac{2.5 \times C2}{\left(\frac{T - T_{ON}}{T} \times I_{CH}\right) - I_{DISCH}}$$

Figure 36 : Load of Overload Capacitor



### Numerical application

with : maximum overload time = 40 ms

the longer delay time is obtained when

$$T_{on} = T_{on(max)}$$

$$C2 = \left( \left( \frac{T - T_{on(max)}}{T} \times I_{CH} \right) - I_{DISCH} \right) \times \frac{T_{overload}}{2.5}$$

$$C2 = \left( 0.55 \times 45 \cdot 10^{-6} - 10 \cdot 10^{-6} \right) \frac{40 \cdot 10^{-3}}{2.5} \cong 220nF$$

**Note** : in practice, the overload capacitor value must be greater than the soft start capacitor ( $C2 \geq C1$ ) to ensure a correct start up phase of the power supply.

### III.2.6 - Soft start capacitor

Refer to paragraph II.5 for the soft start function explanation.

The soft start duration is given by :

$$T_{SOFTSTART} = \frac{(2.7 - 1.5) \times C1}{9 \cdot 10^{-6}}$$

$$C1 = 7.5 \cdot 10^{-6} \times T_{SOFTSTART}$$

### Numerical application

with :  $T_{soft start} = 30 \text{ ms}$

$$C1 = 7.5 \cdot 10^{-6} \times 30 \cdot 10^{-3} = 220 \text{ nF}$$

### III.2.7 - Feed back voltage transformer

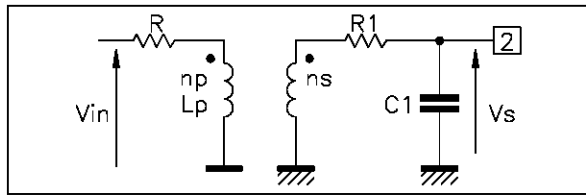
A feedback voltage transformer is used to send information from the secondary circuit (master circuit) to the primary circuit (slave circuit).

This transformer is needed to provide an electric insulation between primary and secondary side.

The feedback input of TEA2260/61 is fed with logic level (threshold 0.9V)

It is necessary to have the same waveform on the primary side as on the secondary side.

Figure 37



For this reason the time constant must be higher than the maximum conduction time in normal mode.

Hence the primary inductance  $L_p$  must be calculated as follows :  $L_p > 3.R.T_{on(max)}$

**Numerical application**

with :

$$T_{ON(max)} = 28\mu s$$

$$R = 270\Omega$$

$$L_p > 3 \times 270 \times 28 \times 10^{-6} = 22mH$$

a) When the TEA5170 is used  $V_{IN} = 7V$

$$\frac{ns}{np} = \frac{V_{S(min)}}{V_{IN} \times (1 - \frac{T_{ON(max)}}{T})}$$

$$\frac{ns}{np} = \frac{1.5}{7 \times (1 - 0.45)} = 0.389$$

b) When the TEA2028 is used  $V_{IN} = 12V$

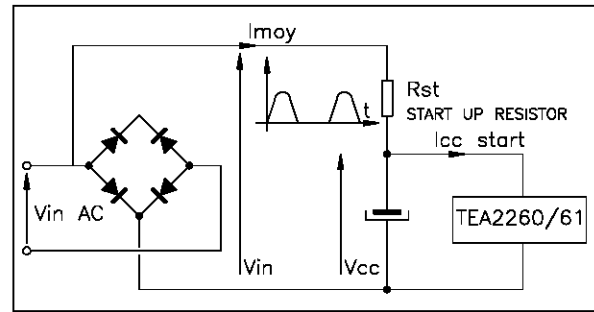
$$\frac{ns}{np} = \frac{1.5}{12 \times (1 - 0.45)} = 0.227$$

**Note :** The R1.C1 filter is used to damp oscillation on the secondary side of the feedback transformer. The time constant  $R1 \times C1 \cong 0.1\mu s$ .

**III.2.8 - Start up resistor**

After switching on the power supply the filtering capacitor on  $V_{CC}$  of TEA2260/61 is charged through a resistor connected to the mains input voltage. Do not connect this resistor to the high voltage filtering capacitor because there is enough energy in this capacitor to cause three attempted restarts and to cut off the TEA2260/61 on fault detection when the power supply is switched off. Hence it is recommended to connect the start-up resistor as follows :

Figure 38



**Start up delay time**

$$I_{MOY} = \frac{\sqrt{2} \times V_{IN AC(min)}}{\Pi \times R_{ST}}$$

$$\text{Start-up delay time} = T_{st} = \frac{V_{CC START}}{I_{MOY} - I_{CC START}} \times C$$

$$R_{ST} = \frac{\sqrt{2} \times V_{IN AC(min)}}{\Pi \times (C \times \frac{V_{CC START}}{T_{ST}} + I_{CC START})}$$

**Power dissipated in start up resistor**

$$P = \frac{V_{IN AC(max)}^2}{2 \cdot R_{ST}}$$

**Numerical application**

with :

$$\text{start up delay time} = 1s$$

$$V_{IN(max)} = 370V DC (V_{IN AC(max)} = 265V)$$

$$V_{IN AC(min)} = 175V$$

$$V_{ccstart} = 10.3V$$

$$I_{ccstart} = 0.7mA$$

$$C = 220\mu F$$

$$R_{ST} = \frac{2 \times 175}{\Pi \times (220 \times 10^{-6} \times 10.3 + 0.7 \times 10^{-3})} = 26k\Omega$$

Value choosen = 22k $\Omega$

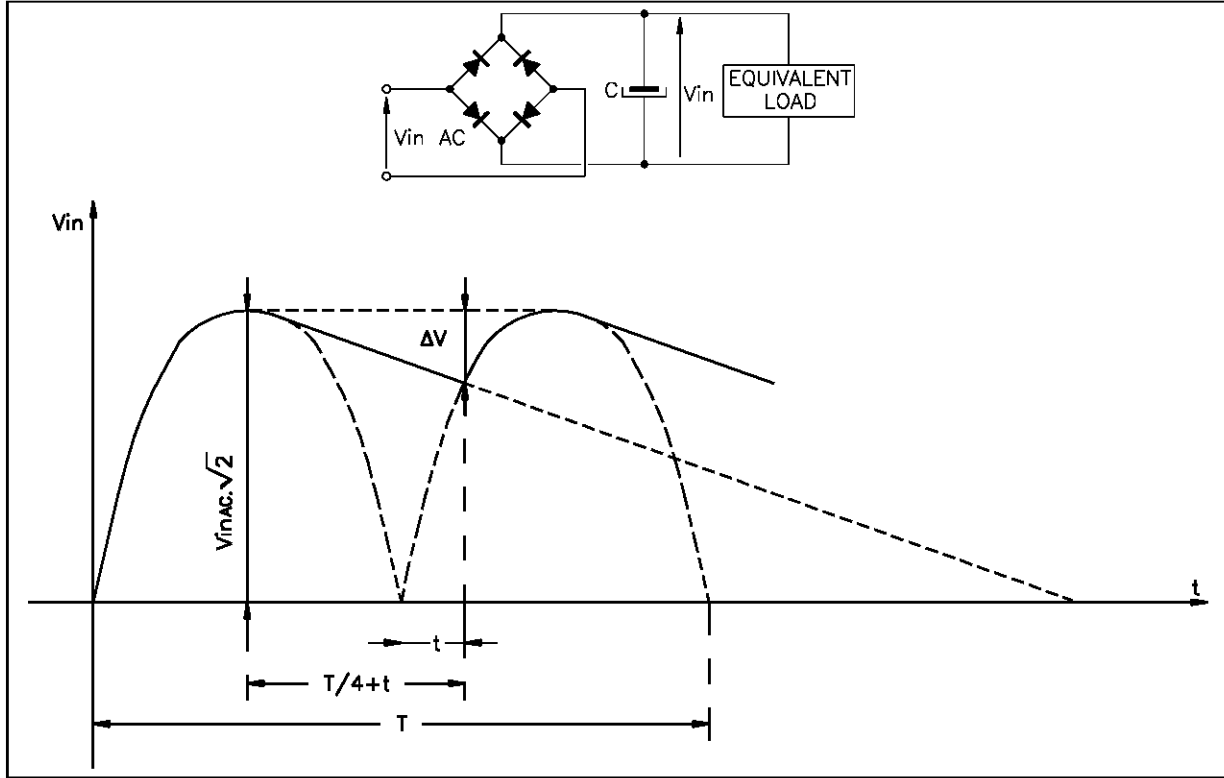
Power dissipated

$$P = \frac{(265)^2}{2 \times 22 \times 10^3} = 1.6W$$

# HIGH PERFORMANCE DRIVER CIRCUITS FOR S.M.P.S

## III.2.9 - Determination of high voltage filtering capacitor

Figure 39



376-39A.EPS / 376-39B.EPS

Hypothesis :

- $\Delta V$  : ripple on the filtering voltage
- $V_{IN.AC(min)}$  : minimal value of A.C. input voltage
- $T$  : period of the mains voltage
- $P_{out}$  : output power of the power supply
- $\eta$  : efficiency of the power supply

$$C = \frac{T}{2\pi} \times \frac{\frac{\pi}{2} + \text{ArcSin}\left(1 - \frac{\Delta V}{V_{IN.AC(min)} \times \sqrt{2}}\right)}{\Delta V_{IN.AC(min)} \times \sqrt{2}} \times \frac{P_{OUT}}{\eta}$$

### Numerical application

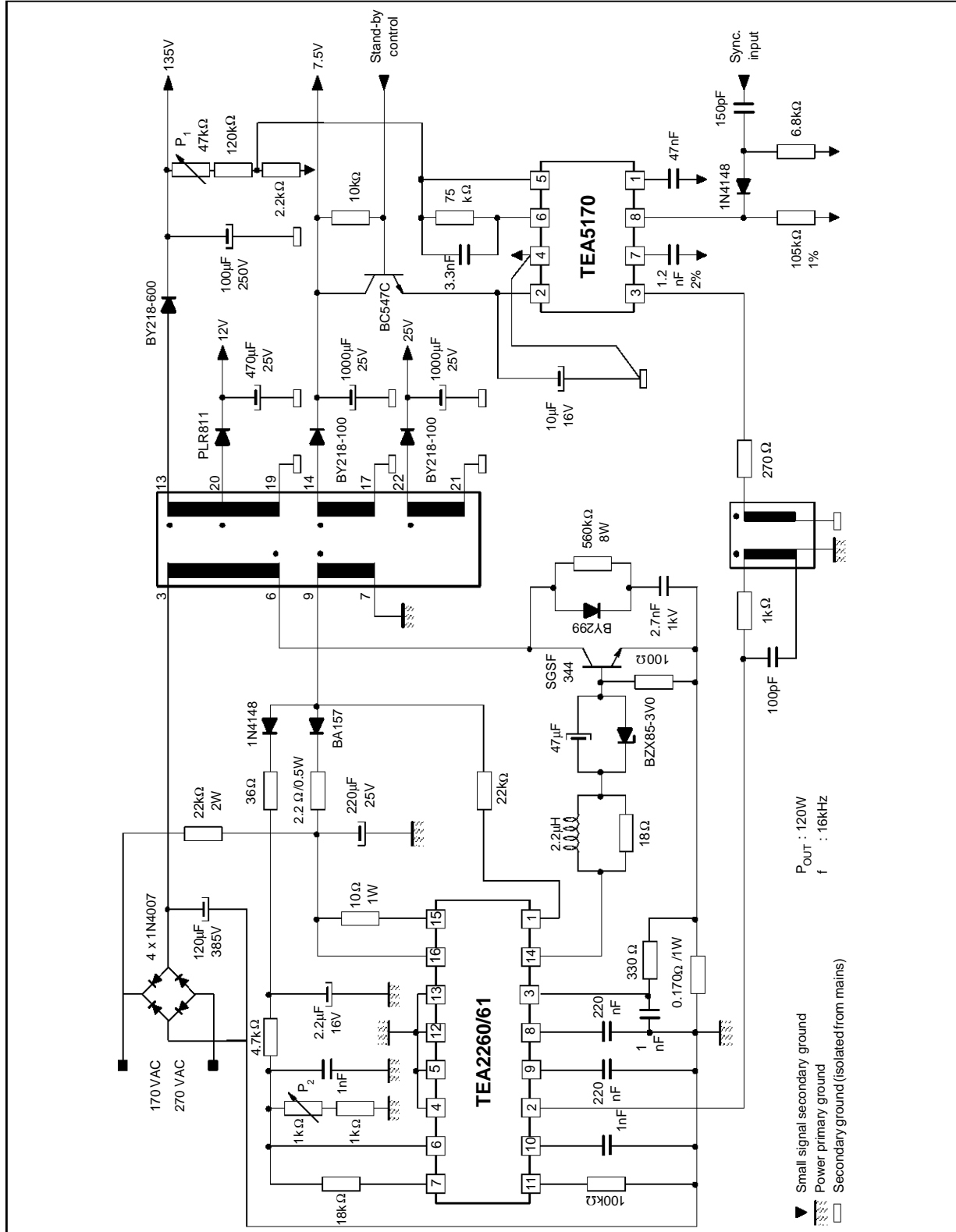
- $\Delta V = 40V$
- $V_{IN.AC(min)} = 170 \text{ VAC}$
- $T = 20ms$
- $P_{OUT} = 120W$
- $\eta = 0.85$

$$C = \frac{20 \cdot 10^{-3}}{2\pi} \times \frac{\frac{\pi}{2} + \text{ArcSin}\left(1 - \frac{40}{250}\right)}{40 \times 250} \times \frac{120}{0.85} = 115\mu F$$

value chosen :  $C = 120\mu s$

## III.3 - Electrical Diagram

**Figure 40**



376-40-EPS

## HIGH PERFORMANCE DRIVER CIRCUITS FOR S.M.P.S

### IV - TV APPLICATION 140W - 220 VAC - 32kHz SYNCHRONIZABLE

All details concerning the determination of external components are described in section III.

#### IV.1 - Application Characteristics

- Discontinuous mode flyback SMPS
- Stand-by function using the burst mode of TEA 2260.
- Switching frequency in burst mode : 16kHz
- Switching frequency in normal mode : 32kHz
- Nominal mains voltage : 220 VAC
- Mains voltage range : 170 VAC to 270 VAC
- Output power range in normal mode  $25W < P_o$  140W
- Output power range in stand-by mode  $2W < P_o$  45W
- Efficiency at full load  $> 80\%$
- Efficiency in stand-by mode ( $P_o = 7W$ )  $> 50\%$
- Short circuit protection
- Long duration overload protection
- Complete shut down after 3 restarts with fault detection for TEA2260
- Complete shut down when  $V_{C2}$  reaches 2.6V for TEA2261

#### Load regulation (VDC = 310V)

Output 135V (+/- 0.18%) → ( $I_{135}$  : 0.01A to 0.8A;  $I_{25} = 1A$ )

Output 25V (+/- 2%) → ( $I_{135}$  : 0.8A;  $I_{25} = 0.5A$  to 1A)

#### Line regulation ( $I_{135}$ : 0.8A; $I_{25}$ : 1A)

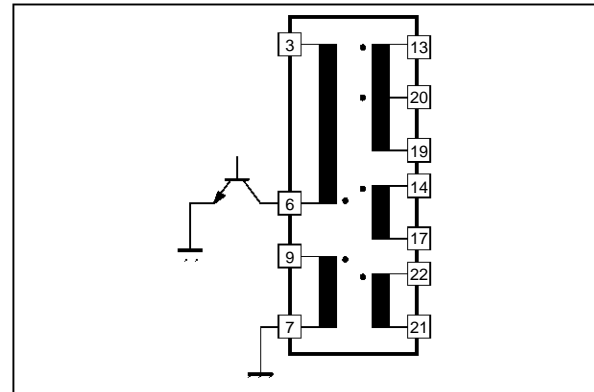
Output 135V (+/- 0.13%) → ( $210V < V_{DC} < 370V$ )

Output 25V (+/- 0.17%)

#### IV.2 - Transformer Specification

- Reference : OREGA.SMT5. G4576-03
- Electrical Data :

Figure 41



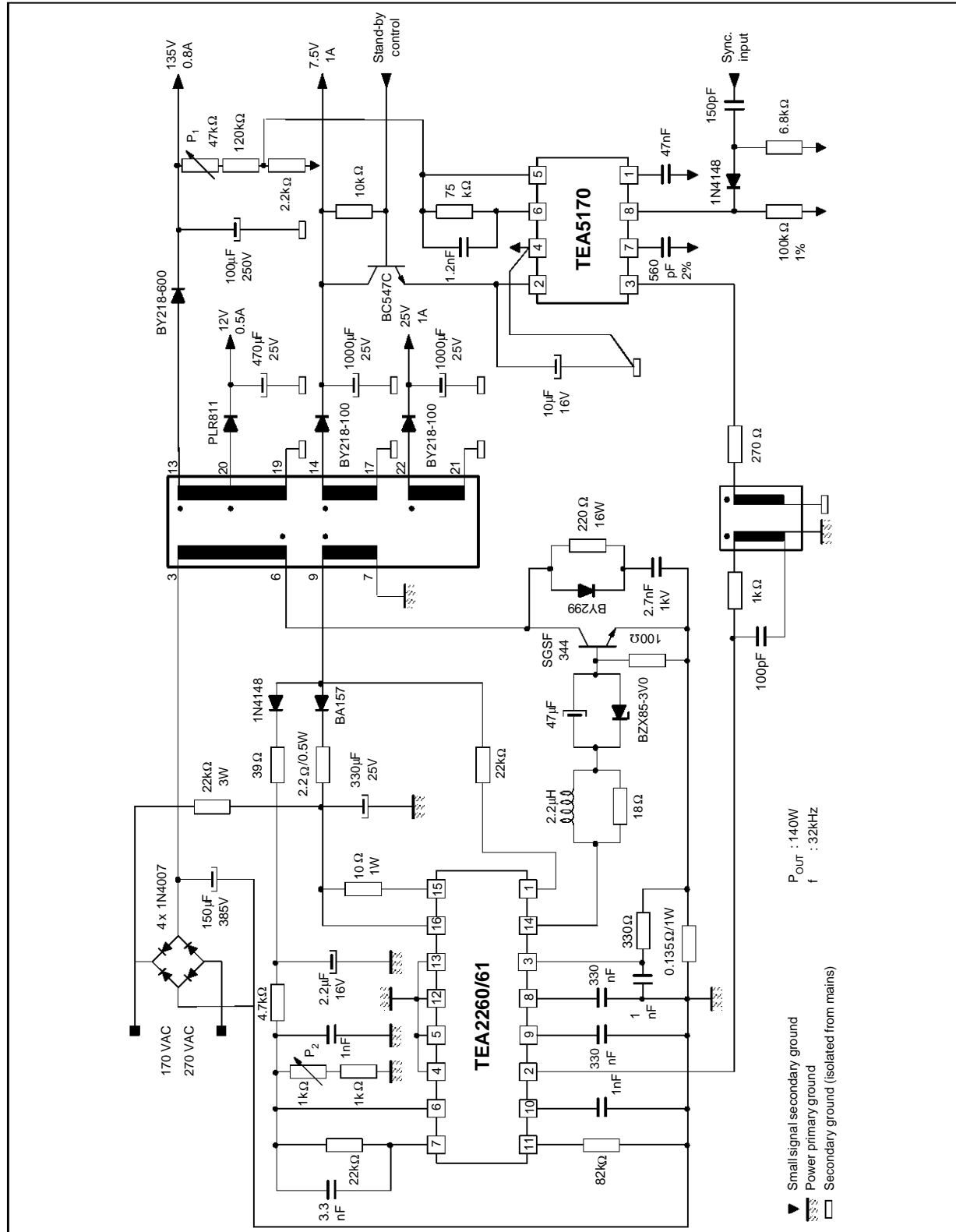
376-41.EPS

Winding	Pin	Inductance
n <sub>P</sub>	3-6	790μH
n <sub>AUX</sub>	7-9	5.4μH
n <sub>2</sub>	19-13	338μH
n <sub>3</sub>	19-20	4.8μH
n <sub>4</sub>	14-17	3.4μH
n <sub>5</sub>	22-21	13μH

# HIGH PERFORMANCE DRIVER CIRCUITS FOR S.M.P.S

## IV.3 - Electrical Diagram

Figure 42



376-42.EPS

## HIGH PERFORMANCE DRIVER CIRCUITS FOR S.M.P.S

### V - TV APPLICATION 110W -220 VAC - 40kHz REGULATED WITH OPTOCOUPLER

This application works in asynchronous mode. The regulation characteristics are very attractive (output power variation range from 1W to 110W due to automatic burst mode (see II.6). In this configuration higher is the regulation loop gain, lower is the output voltage ripple in burst mode (e.g. output voltage ripple 0.8% with a loop gain of 15).

#### V.1 - Frequency Soft Start

The nominal switching frequency is 40kHz but during the start-up phase the switching frequency is shifted to 10kHz in order to avoid the magnetization of the transformer.

Otherwise the second current limitation will be reached at high input voltage and hence the power supply will not start.

#### V.2 - Application Characteristics

- Discontinuous mode Flyback SMPS
- Switching frequency : 40kHz
- Nominal mains voltage : 220 VAC
- Mains voltage range : 170 VAC to 220 VAC
- Output power in normal mode :  $30W < P_o < 110W$
- Output power in burst mode :  $1W < P_o < 30W$ . The transient phase between normal mode and burst mode is determined automatically as a function of the output power. Hence the regulation of the output voltage is effective for an output power variation of  $1W < P_o < 110W$
- Efficiency as full load  $> 80\%$
- Efficiency in burst mode ( $P_o = 8W$ )  $> 50\%$
- Short circuit protection
- Open load protection
- Long duration overload protection
- Complete shutdown after 3 restarts with fault detection for TEA2260
- Complete shut down when  $V_{C2}$  reaches 2.6V for TEA2261

#### Load regulation ( $V_{DC} = 310V$ )

Output 135V ( $\pm 0.15\%$ )  $\rightarrow (I_{135} : 0.05A \text{ to } 0.6A; I_{25} = 1A)$

Output 25V ( $\pm 2.5\%$ )  $\rightarrow (I_{135} = 0.6A; I_{25} : 0.25 \text{ to } 1A)$

#### Line regulation ( $I_{135} : 0.6A; I_{25} : 1A$ )

Output 135V ( $\pm 0.30\%$ )  $\rightarrow (210V < V_{DC} < 370V)$

Output 25V ( $\pm 0.30\%$ )

#### Influence of the audio output on the video output

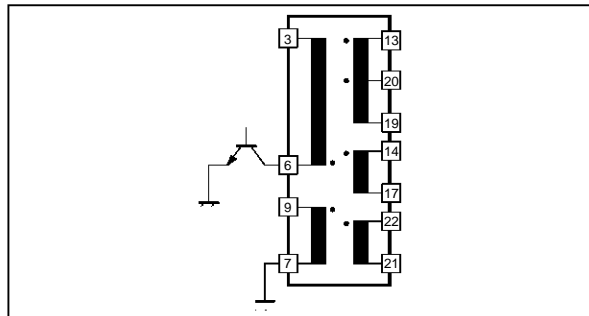
Output 135V ( $\pm 0.1\%$ )  $\rightarrow (I_{135} = 0.6A; I_{25} : 0 \rightarrow 1A)$

Output 135V ( $\pm 0.05\%$ )  $\rightarrow (I_{135} = 0.3A; I_{25} : 0 \rightarrow 1A)$

#### V.3 - Transformer Specification

- Reference : OREGA.SMT5. G4576-02
- Mechanical Data :
  - Ferrite : B50
  - 2 cores : 53 x 18 x 18(mm) THOMSON LCC
- Electrical Data :

Figure 43



Winding	Pin	Inductance
nP	3-6	790 $\mu$ H
nAUX	7-9	5.4 $\mu$ H
n2	19-13	338 $\mu$ H
n3	19-20	4.8 $\mu$ H
n4	14-17	3.4 $\mu$ H
n5	22-21	13 $\mu$ H

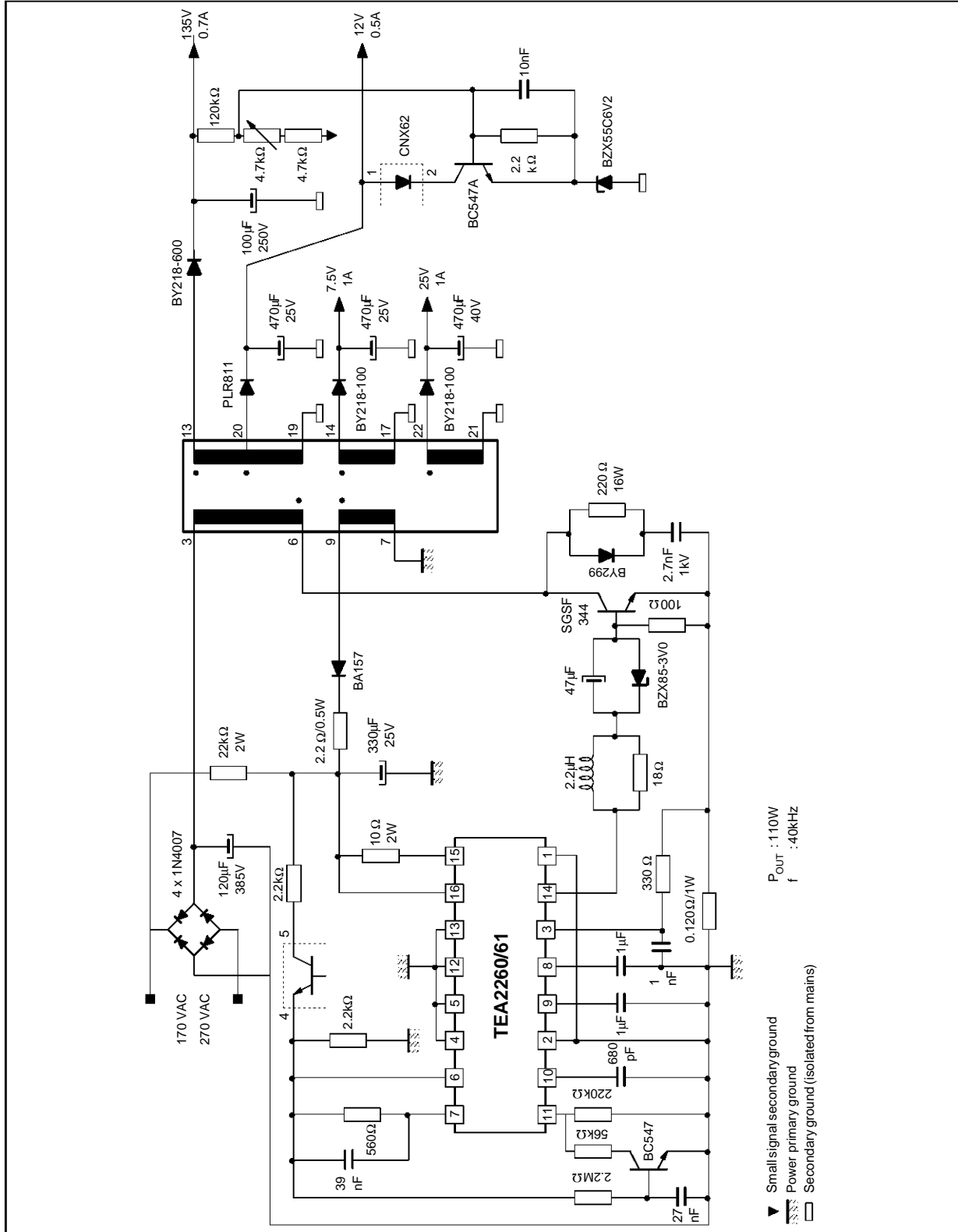
376-43.EPS



# HIGH PERFORMANCE DRIVER CIRCUITS FOR S.M.P.S

## V.4 - Electrical Diagram

Figure 44



376-44-EPS

Information furnished is believed to be accurate and reliable. However, SGS-THOMSON Microelectronics assumes no responsibility for the consequences of use of such information nor for any infringement of patents or other rights of third parties which may result from its use. No licence is granted by implication or otherwise under any patent or patent rights of SGS-THOMSON Microelectronics. Specifications mentioned in this publication are subject to change without notice. This publication supersedes and replaces all information previously supplied. SGS-THOMSON Microelectronics products are not authorized for use as critical components in life support devices or systems without express written approval of SGS-THOMSON Microelectronics.

© 1994 SGS-THOMSON Microelectronics - All Rights Reserved

Purchase of I<sup>2</sup>C Components of SGS-THOMSON Microelectronics, conveys a license under the Philips I<sup>2</sup>C Patent. Rights to use these components in a I<sup>2</sup>C system, is granted provided that the system conforms to the I<sup>2</sup>C Standard Specifications as defined by Philips.

**SGS-THOMSON Microelectronics GROUP OF COMPANIES**

Australia - Brazil - China - France - Germany - Hong Kong - Italy - Japan - Korea - Malaysia - Malta - Morocco  
The Netherlands - Singapore - Spain - Sweden - Switzerland - Taiwan - Thailand - United Kingdom - U.S.A.